

Installation

1 Before you begin

⚠ WARNING

To prevent possible **SERIOUS INJURY** or **DEATH**:

- Disconnect **ALL** electric and battery power **BEFORE** performing **ANY** service or maintenance.

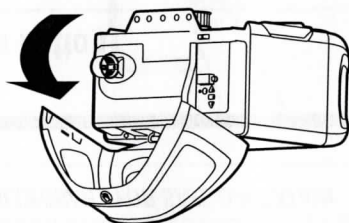
CAUTION

To prevent damage to the receiver/logic board, **DO NOT** touch printed circuit board of replacement receiver/logic board during installation.

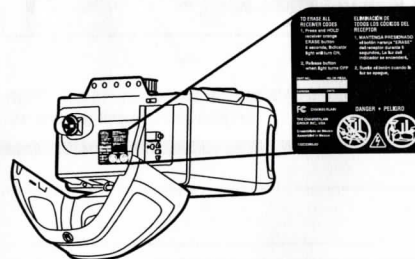
ALWAYS wear protective gloves and eye protection when changing the battery or working around the battery compartment.

NOTE: The products illustrated in the instructions are for reference. Your product may look different.

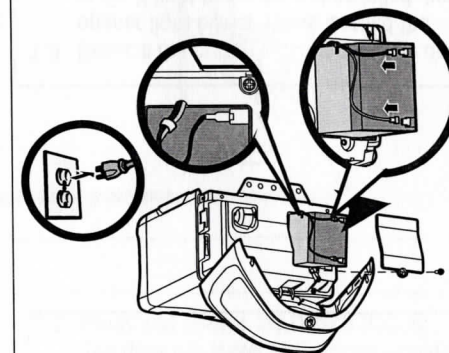
- 1.1** Remove the light lens by pulling the top sides of the light lens and rotate the light lens down. Squeeze the light lens clips to remove lens from end panel.



- 1.2** To maintain your warranty, place the provided label over the existing label on the end panel of the garage door opener.

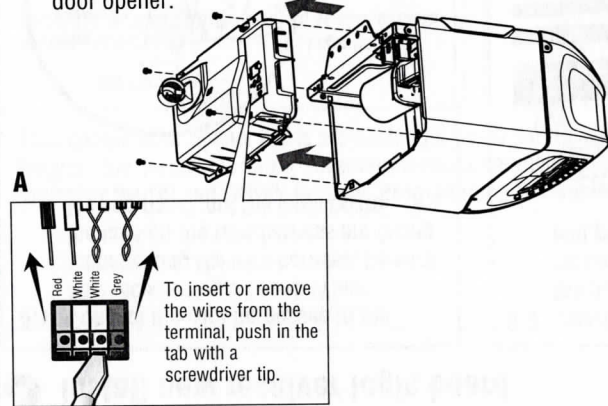


- 1.3** Disconnect electrical and battery power (if applicable) to the garage door opener.

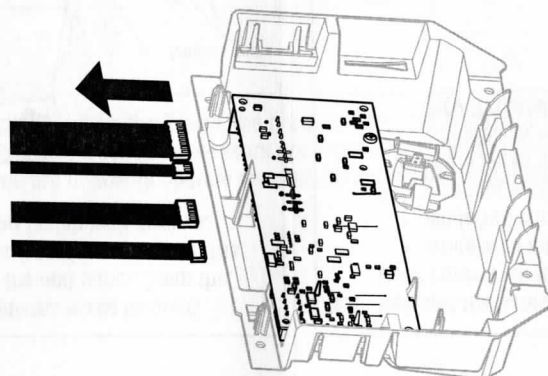


2 Remove the receiver logic board

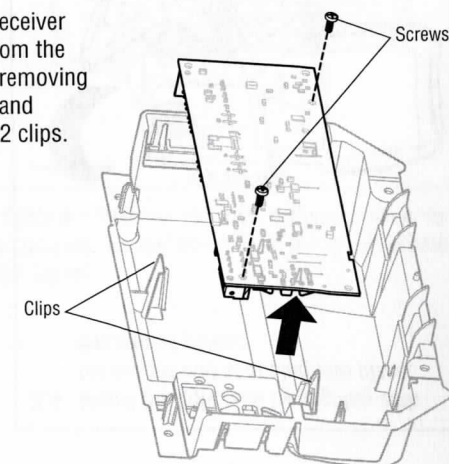
- 2.1** Disconnect the wires from the quick-connect terminals (A). Remove the receiver logic board end panel from the garage door opener.



- 2.2** Unplug the wire harnesses from the receiver logic board. You may need needle-nosed pliers, to remove the harnesses.

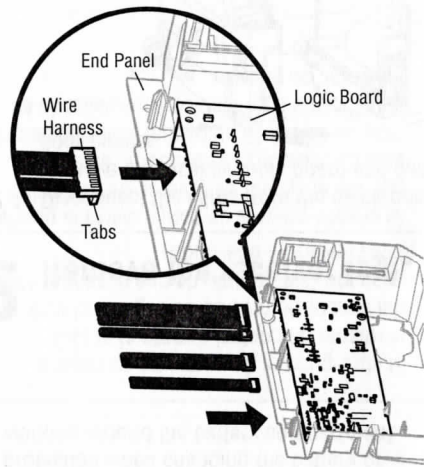


- 2.3** Remove the receiver logic board from the end panel by removing the 2 screws and releasing the 2 clips.

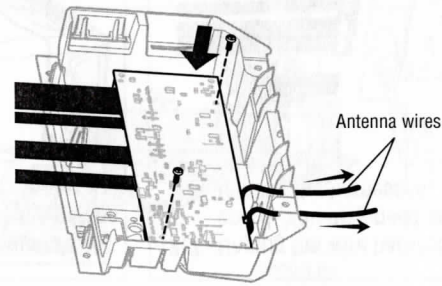


3 Install new receiver logic board

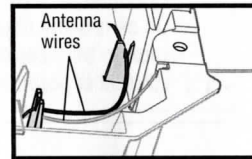
3.1 Connect the wire harnesses to the new receiver logic board. When reconnecting the wire harness, be sure the tabs on the wire harness are facing the end panel, not the logic board.



3.2 Insert the antenna wires through the holes in the end panel. Snap the receiver logic board into place on the end panel and fasten with screws.



NOTE: Some models will require the short antenna wire to be placed in the traps of the end panel.

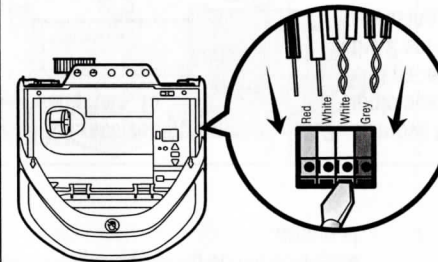


3.3 Reinsert the wires.
Door control wires:

- white wire into the white terminal.
- white/red wire into the red terminal.

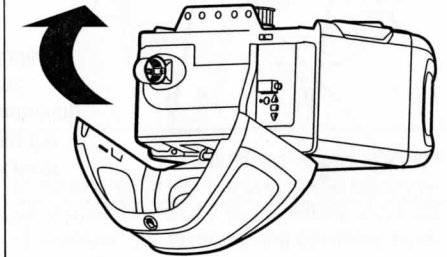
Safety sensor wires:

- white wires into the white terminal.
- white/black wires into the grey terminal.



To insert or remove the wires from the terminal, push in the tab with a screwdriver tip.

3.4 Install the light lens by aligning with the hinges and snapping into place. Reconnect power.



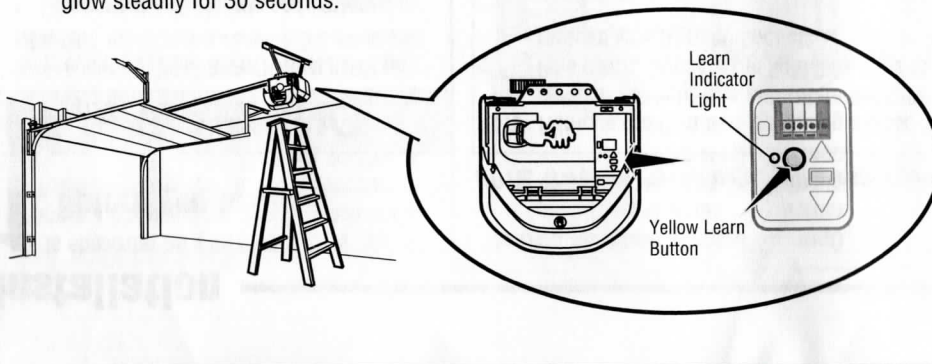
NOTE: When installing the light lens, ensure the antenna wires are hanging straight down.

NOTE: A TEST OF THE SAFETY REVERSE SYSTEM IS NECESSARY FOR SAFE OPERATION.

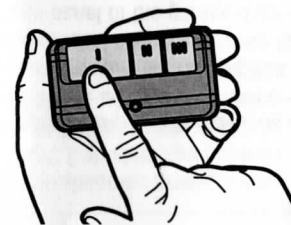
Programming

1 Program a remote using the learn button

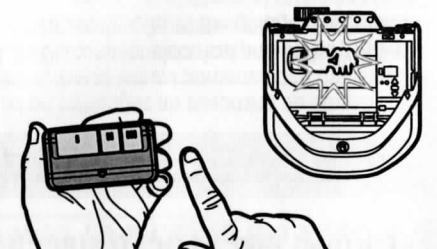
1.1 Press and release the Learn button on the garage door opener. The Learn indicator light will glow steadily for 30 seconds.



1.2 Within 30 seconds, press and hold the button on the remote control.



1.3 Release the button when the garage door opener light blinks. It has learned the code. If light bulbs are not installed, two clicks will be heard.



Adjustment

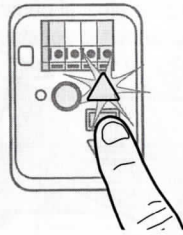
1 Program the travel

WARNING

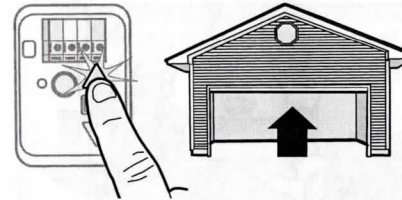
Without a properly installed safety reversal system, persons (particularly small children) could be SERIOUSLY INJURED or KILLED by a closing garage door.

- Incorrect adjustment of garage door travel limits will interfere with proper operation of safety reversal system.
- After ANY adjustments are made, the safety reversal system MUST be tested. Door MUST reverse on contact with 1-1/2" (3.8 cm) high object (or 2x4 laid flat) on floor.

- 1.1** Press and hold the Adjustment Button until the UP Button begins to flash and/ or a beep is heard.

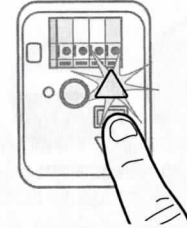


- 1.2** Press and hold the UP Button until the door is in the desired UP position.

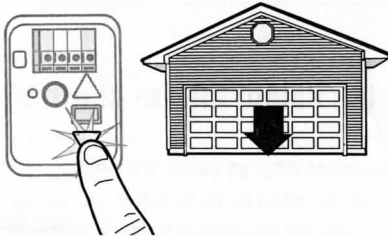


NOTE: The UP and DOWN Buttons can be used to move the door up and down as needed.

- 1.3** Once the door is in the desired UP position press and release the Adjustment Button. The garage door opener lights will flash twice and the DOWN Button will begin to flash.

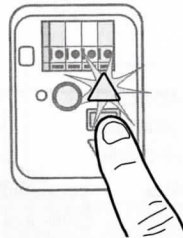


- 1.4** Press and hold the DOWN Button until the door is in the desired DOWN position.

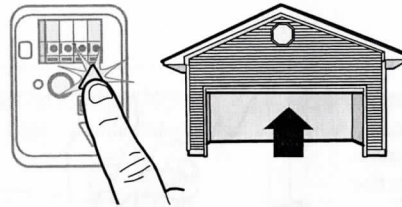


NOTE: The UP and DOWN Buttons can be used to move the door up and down as needed.

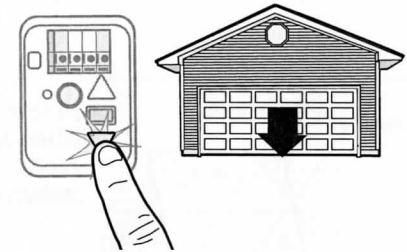
- 1.5** Once the door is in the desired DOWN position press and release the Adjustment Button. The garage door opener lights will flash twice and the UP Button will begin to flash.



- 1.6** Press and release the UP Button. When the door travels to the programmed UP position, the DOWN Button will begin to flash.



- 1.7** Press and release the DOWN Button. The door will travel to the programmed DOWN position. Programming is complete.



* If the garage door opener lights are flashing 5 times during the steps for Program the Travel, the programming has timed out. If the garage door opener lights are flashing 10 times during the steps for Program the Travel, the safety reversing sensors are misaligned or obstructed. When the sensors are aligned and unobstructed, cycle the door through a complete up and down cycle using the remote control or the UP and DOWN buttons. Programming is complete. If you are unable to operate the door up and down, repeat the steps for Programming the Travel.

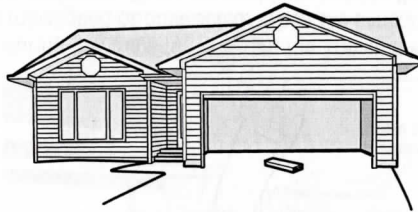
2 Test the Safety Reversal System

⚠ WARNING

Without a properly installed safety reversal system, persons (particularly small children) could be **SERIOUSLY INJURED** or **KILLED** by a closing garage door.

- Safety reversal system **MUST** be tested every month.
- After **ANY** adjustments are made, the safety reversal system **MUST** be tested. Door **MUST** reverse on contact with 1-1/2" high (3.8 cm) object (or 2x4 laid flat) on the floor.

- 2.1 With the door fully open, place a 1-1/2 inch (3.8 cm) board (or a 2x4 laid flat) on the floor, centered under the garage door.



- 2.2 Press the remote control push button to close the door. The door **MUST** reverse when it makes contact with the board.



If the door stops and does not reverse on the obstruction, increase the down travel (refer to Adjustment Step 1).

Repeat the test. When the door reverses upon contact with the 1-1/2 inch board, remove the board and open/close the door 3 or 4 times to test the adjustment.

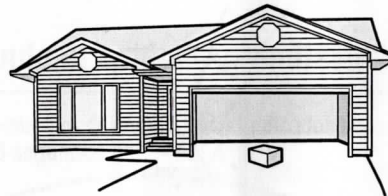
If the test continues to fail, call a trained door systems technician.

3 Test the Protector System®

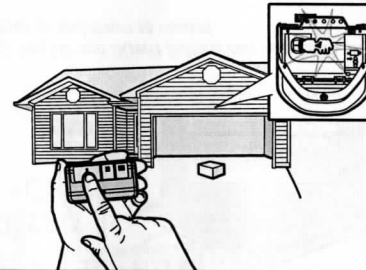
⚠ WARNING

Without a properly installed safety reversing sensor, persons (particularly small children) could be **SERIOUSLY INJURED** or **KILLED** by a closing garage door.

- 3.1 Open the door. Place the garage door opener carton in the path of the door.



- 3.2 Press the remote control push button to close the door. The door will not move more than an inch (2.5 cm), and the garage door opener lights will flash 10 times.



The garage door opener will not close from a remote control if the LED in either safety reversing sensor is off (alerting you to the fact that the sensor is misaligned or obstructed).

If the garage door opener closes the door when the safety reversing sensor is obstructed (and the sensors are no more than 6 inches [15 cm] above the floor), call for a trained door systems technician.

