

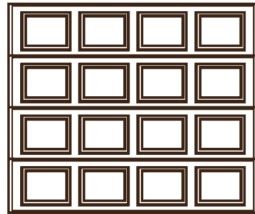
COACH HOUSE

ACCENTS

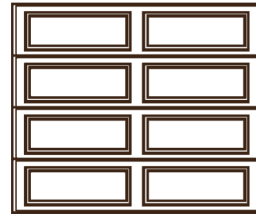
Decorative Overlay Windows & Hardware for Garage Doors

Garage Door Specifications:

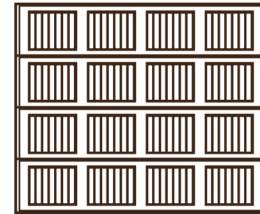
Coach House Accents Signature & Heritage Windows will fit on most Standard, Raised-Panel, Flat Panels and entry level steel carriage house style doors. This included "Short Panels" and "Long Panels".



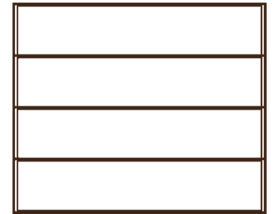
Short Raised Panel



Long Raised Panel

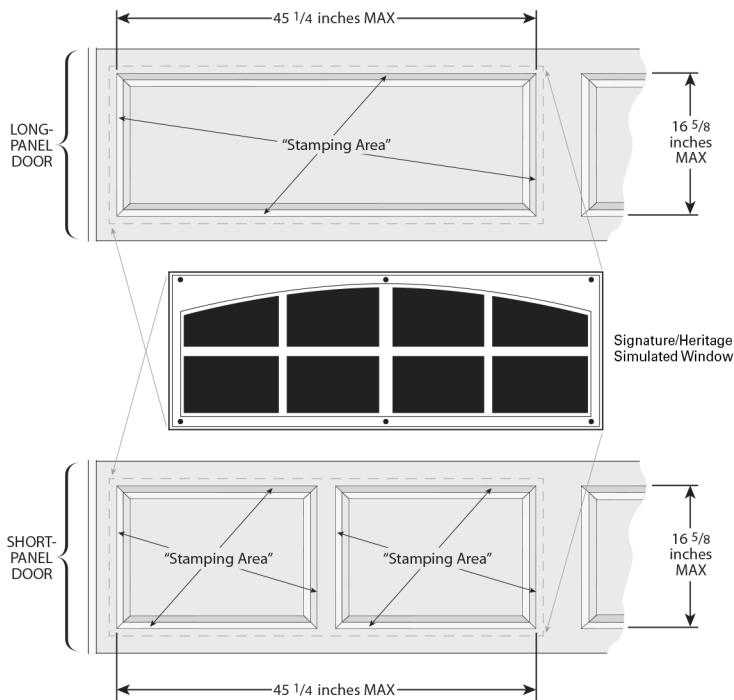


Vertical Ribs



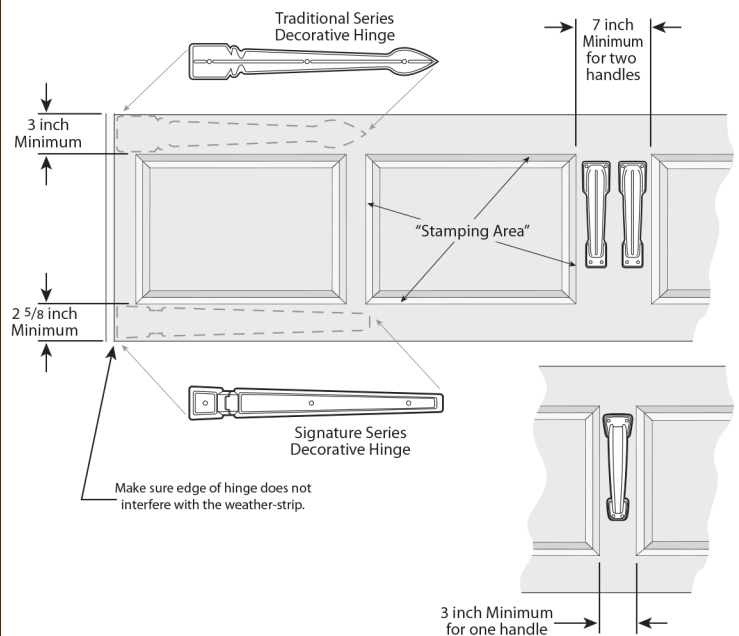
Flat Panel

Measuring for Window Installation:



- Measure to the outer edges of the stamping area(s)
- Full width cannot exceed 45 1/4 Inches
- Full height cannot exceed 16 5/8 Inches
- For 1 car garage door, use one kit (2 windows)
- For 2 car garage door, use 2 kits (4 windows)

Measuring for Hardware Installation:



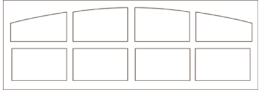
- Measure to the outer edges of the stamping area
- Always measure with the door fully closed. Be sure hinges do not interfere with the weather stripping at the edge of the door or where the sections of the garage door meet.

PLEASE NOTE: ALWAYS MEASURE YOUR DOOR PANEL TO BE SURE!

Garage door manufacturers may change stamping sizes due to model and design changes. Action Industries cannot be responsible for these changes. Signature/Heritage windows are 45 1/4 Inches long by 16 5/8 Inches tall.

COACH HOUSE

ACCENTS



Decorative Overlay Windows for Garage Doors

How To Install:

1. Verify that your windows will fit properly on your garage door. (Refer to the document "Garage Door Specifications").
2. Place your window onto the garage door where desired, using a tape measure ensure that the window is positioned properly. Mark the holes with a pencil then drill 1/8 inch holes. Start with center holes.
3. Lay the window face down on a smooth surface to avoid scratching it, and remove the protective film from the back of the Plexiglass.
4. Insert the 8 screws into the mounting holes from the front of the panel and press the rubber washers onto the screw threads from the back side. Ensure the rubber washers make contact with the surface of the panel.



5. Lift the window up to the door panel and align the protruding screws to the pilot holes. Tighten the screws to fasten the window to the door. **DO NOT OVER TIGHTEN**, which can pull the threads from the holes or distort the panel.

Repeat this process for other panels.



NOTE: ALWAYS MEASURE YOUR DOOR PANEL BEFORE YOU START!

Manufacturers may change stamping sizes due to model and design changes. Action Industries cannot be responsible for these changes.



Action Industries
13325 Darice Parkway
Strongsville, OH 44149

Signature Windows (White & Sandstone)



Heritage Windows (White & Sandstone)

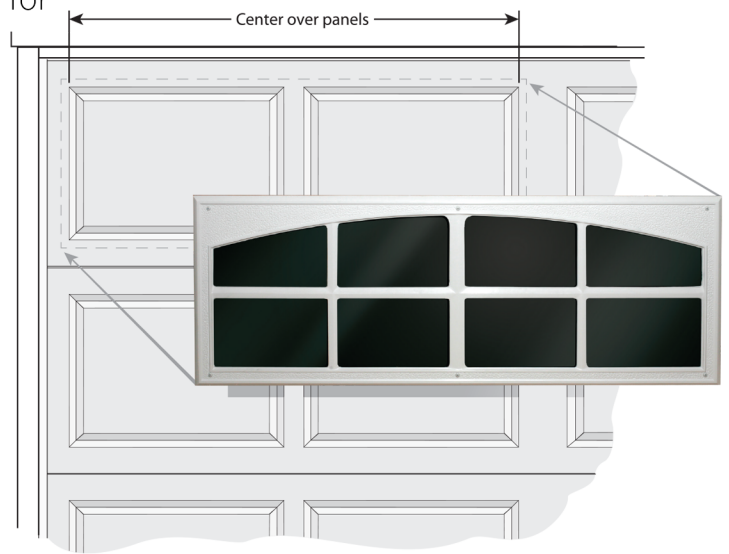


Your Window Kit Includes:

- 2 Window Frames with Plexiglass Inserts
- 16 Phillips Head 1 1/2" Screws
- 16 Rubber Washers

Tools Required for Installation:

- Electric Drill with 1/8" Drill Bit
- Phillips Head Screw Driver
- Tape Measure
- Level
- Step Stool or Ladder



Shown is a short-panel door. Use the same technique for long panel or flat panel doors.

Decorative Overlay Windows & Hardware for Garage Doors

Painting Guidelines

Recommended Paints:

- Exterior Latex
- Polyurethane

Key Considerations:

- Latex primers do not adhere well
- Surface roughening promotes paint adhesion
- Surface wipes do no promote adhesion (acetone, alcohol, etc.)

Preparation (for either paint type):

- Carefully read and follow paint manufacturer's instructions
- Work in a well ventilated area
- Keep working surface clean and dry

Painting Instructions

Exterior Latex Paint:

- Lightly sand surface with medium grit sand paper
- Do not use primer
- Apply two coats of exterior latex paint (per paint manufacturers instructions) allowing 4 to 6 hours of drying time between coats

Polyurethane Paint:

- Lightly sand surface with Scotch Brite™ by 3M
- Apply two component, Isocyanate Urethane Sealer (BASF Diamond #DS 30)
- After 30 minutes, while the coating is still semi-damp appl a single staeg Urethan top coat (BASF Solo)

Please Note:

This information is provided for guidance only. We urge you to make all tests you deem appropriate prior to painting. No warrenties, either expressed or implied, including warranties for merchantability or fitness for a particular purpose, are made regarding products described or information set forth or that such products or information may be used without infringing patents or others.

COACH HOUSE

ACCENTS

Decorative Overlay Windows & Hardware for Garage Doors

Elevate Exterior Style, Effortlessly



Heritage Windows



Traditional Hardware



Signature Hardware



Signature Windows

Enhance Curb Appeal In Minutes



More Style. More Securely Installed.



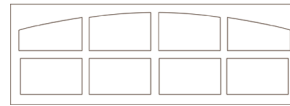
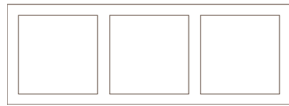
Easy DIY Installation



Weather & Fade Resistant



Made in the USA



TAG US in your Before & After Photos to **GET A DISCOUNT** your next order on garage door products!

Follow Us On Social!



/CoachHouseAccents



@CoachHouseAccents



/CoachHouseAccents



@CoachHouseAccents