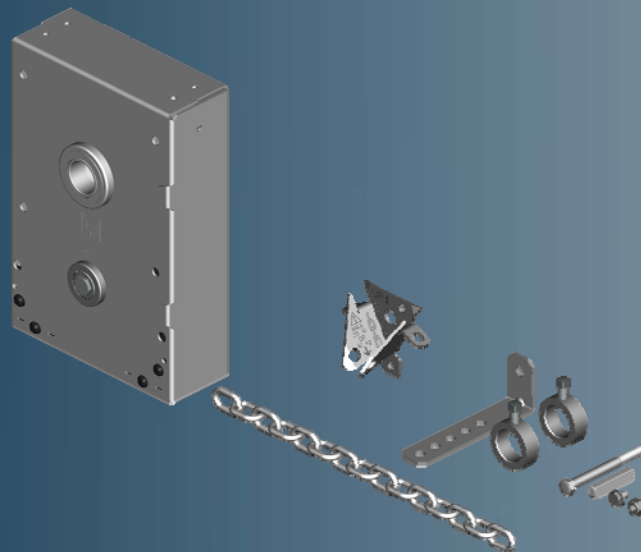
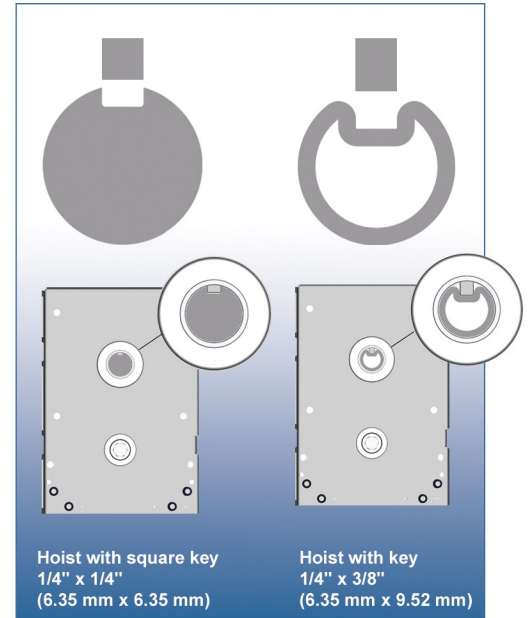
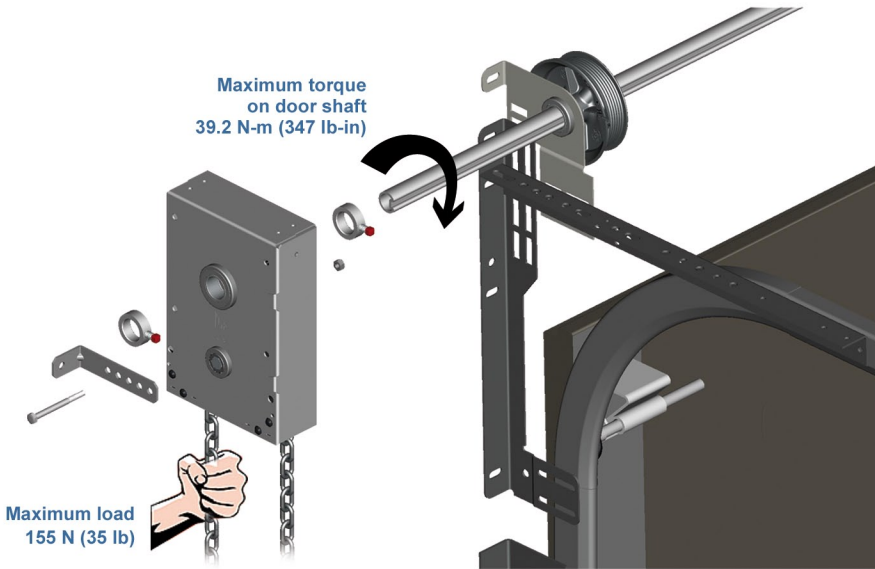
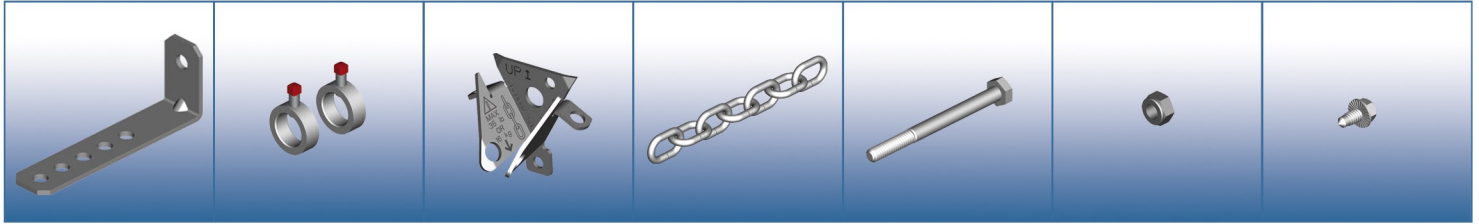




JRG-V2 – HAND CHAIN TENSIONER

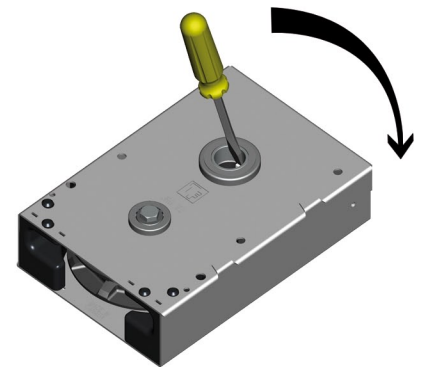
Reference Manual



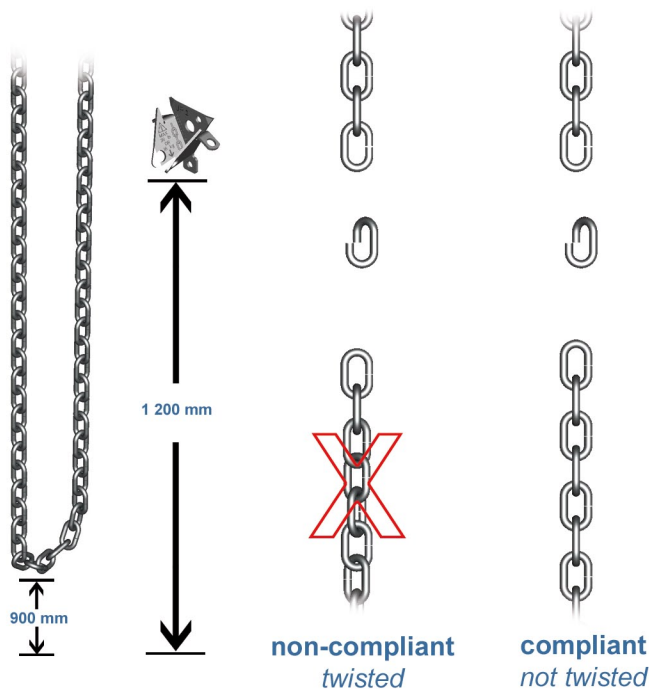


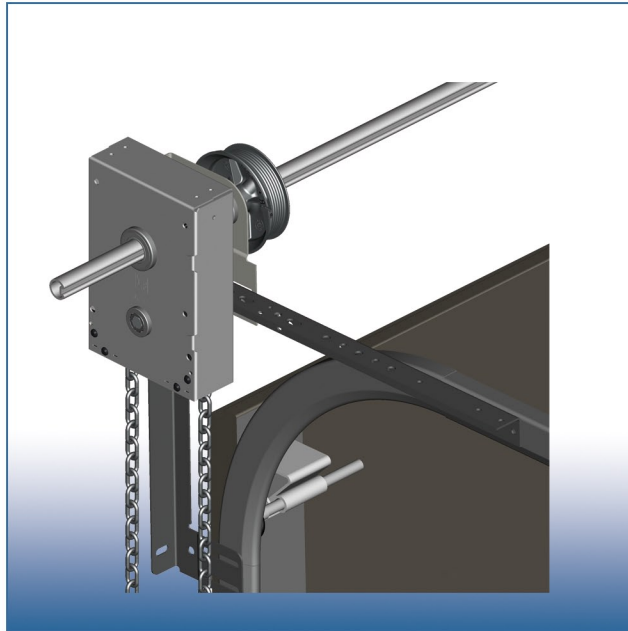
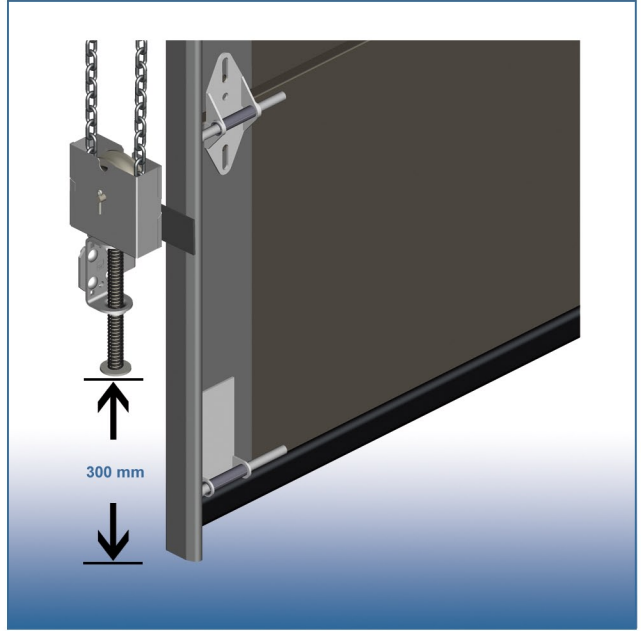
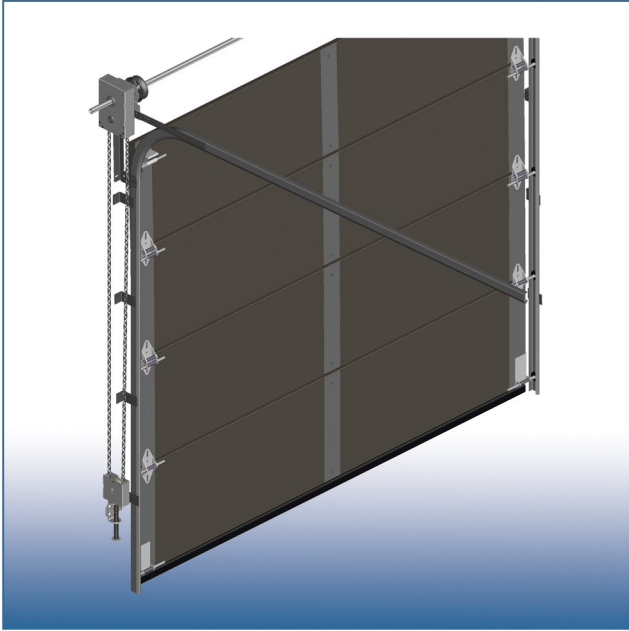
How to change the key

1) Remove the key



2) Install the new key





TORQUE
FORCE
a division of



Canimex Inc.

285, St-Georges, Drummondville (Quebec) Canada J2C 4H3

☎ 819.477.1335 ☎ 819.477.0776

💻 torqueforce@canimex.com 🌐 www.canimex.com