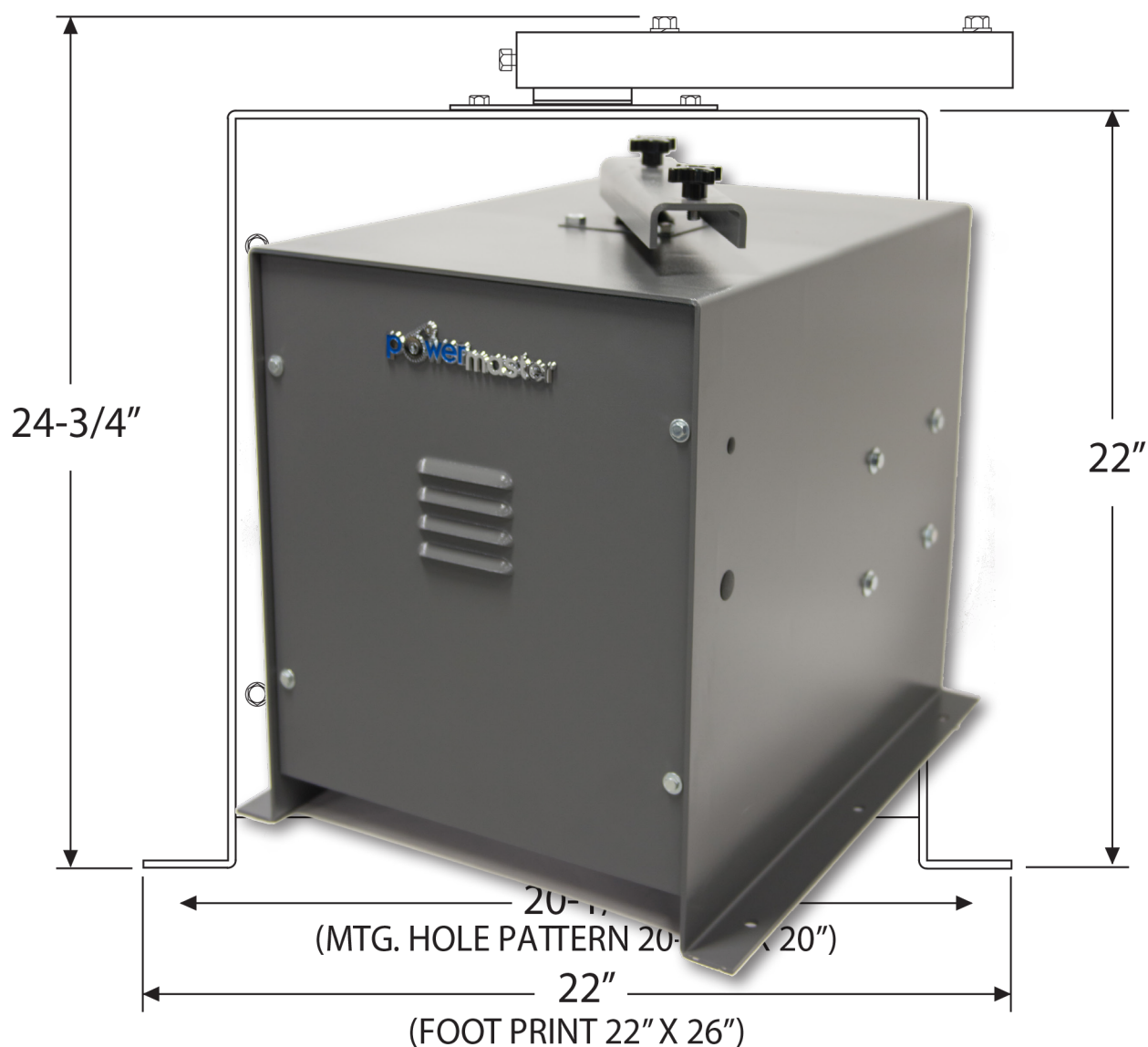




INSTALLATION AND OWNER'S MANUAL

MODEL CSWI & DSWI Swing Gate Operator

UL 325 and UL 991 Listed



***NOTE: FOR DSWI UNITS, REFER TO POWERMASTER CONTROL BOARD MANUAL FOR CIRCUIT BOARD INFORMATION.**

Serial #:
Date Installed:
Your Dealer:

READ THIS MANUAL CAREFULLY
BEFORE INSTALLATION OR USE.
SAVE THESE INSTRUCTIONS.



Table of Contents

Model MSW Medium Duty Swing Gate Operator

Important Safety Information	3
UL Installation and Safety Considerations.....	4
System Designer Safety Instructions.....	5
Installer Safety Instructions	6-7
End User Safety Warnings	8-9
 Installation & Setup Procedure	
Before Installing Operator	10
Installation of Cement Pad.....	11
Installation of Operator	12-13
Manual Operation	14
Electrical Connections	15
Left Hand/Right Hand Conversion	16
Connection of a Three Button Station.....	17
Master/Slave Installation.....	18
Limit Adjustment	19
Emergency Control Station	20
Timer to Close.....	20
Audible Pre-Move Warning	20
Auxiliary Circuit	21
 Accessory Connections	
Connection of a Radio	22
Loop Detector Systems	22
Loop Installation (Standard Layout Chart)	22-23
Cutting the Required Groove	23
Loop Connections.....	24
 Safety Device Connections	
Inherent Obstruction Sensing Device	25
Clutch Adjustment.....	26
 Secondary Obstruction Sensing Devices	
Contact - Sensing Edge.....	27
Non-contact - Photo Eyes.....	28
 2004 LED & Dipswitch Information/Wiring.....	 29
 Warranty	 31

IMPORTANT!

FOR SWING GATE OPERATING SYSTEMS, SAFETY IS EVERYONE'S BUSINESS.

Automatic gate operators provide convenience and security to users. However, because these machines can produce high levels of force, it is important that all gate operator system designers, installers, and end users be aware of the potential hazards associated with improperly designed, installed, or maintained systems. Keep in mind that the gate operator is a component part of a total gate operating system.

The following information contains various safety precautions and warnings for the system designer, installer and end user. These instructions provide an overview of the importance of safe design, installation, and use.

Warnings are identified with the ▲ symbol. This symbol will identify some of the conditions that can result in serious injury or death. Take time to carefully read and follow these precautions and other important information provided to help ensure safe system design, installation and use.

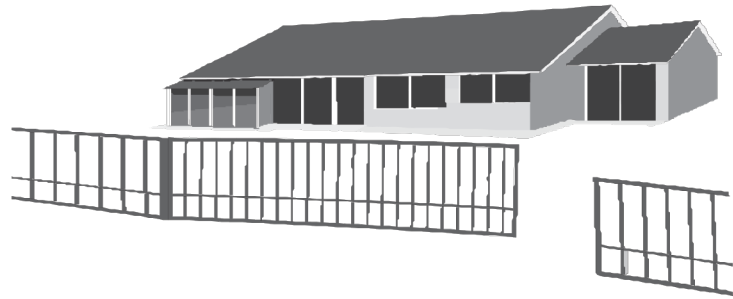
▲ WARNING: Gate operators are only one part of a total gate operating system. It is the responsibility of purchaser, designer, and installer to ensure that the total system is safe for its intended use. All secondary entrapment safety devices must be **RECOGNIZED** by UL to ensure the safety of the complete operating system.

UL INSTALLATION AND SAFETY CONSIDERATIONS

INSTALLATION CLASSES

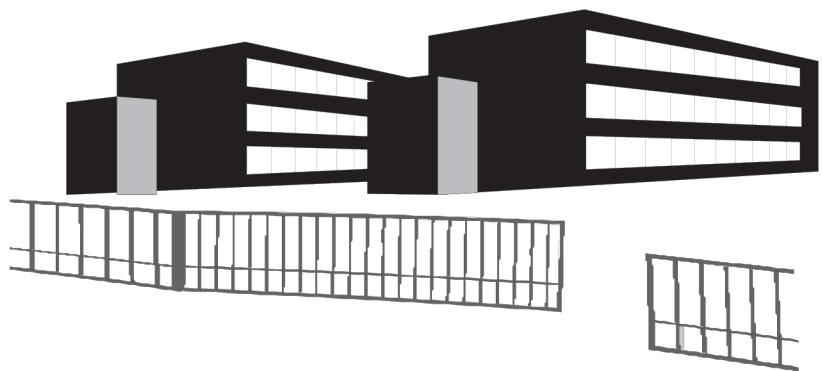
CLASS I - RESIDENTIAL VEHICULAR GATE OPERATOR

A vehicular gate operator (or system) intended for use in a home of one to four single-family dwellings, or a garage or parking area associated therewith.



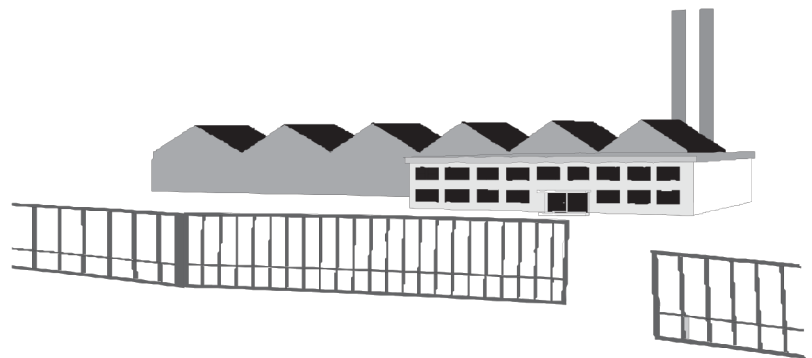
CLASS II – COMMERCIAL/GENERAL ACCESS VEHICULAR GATE OPERATOR

A vehicular gate operator (or system) intended for use in a commercial location or building such as a multifamily housing unit (five or more single family units), hotel, garages, retail store or other building servicing the general public.



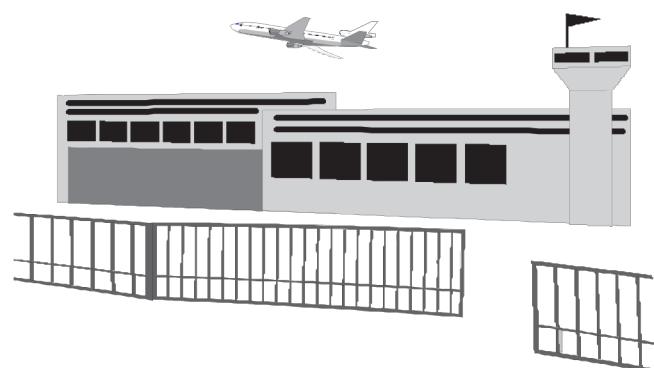
CLASS III - INDUSTRIAL/LIMITED ACCESS VEHICULAR GATE OPERATOR

A vehicular gate operator (or system) intended for use in an industrial location or building such as a factory or loading dock area or other locations not intended to service the general public.



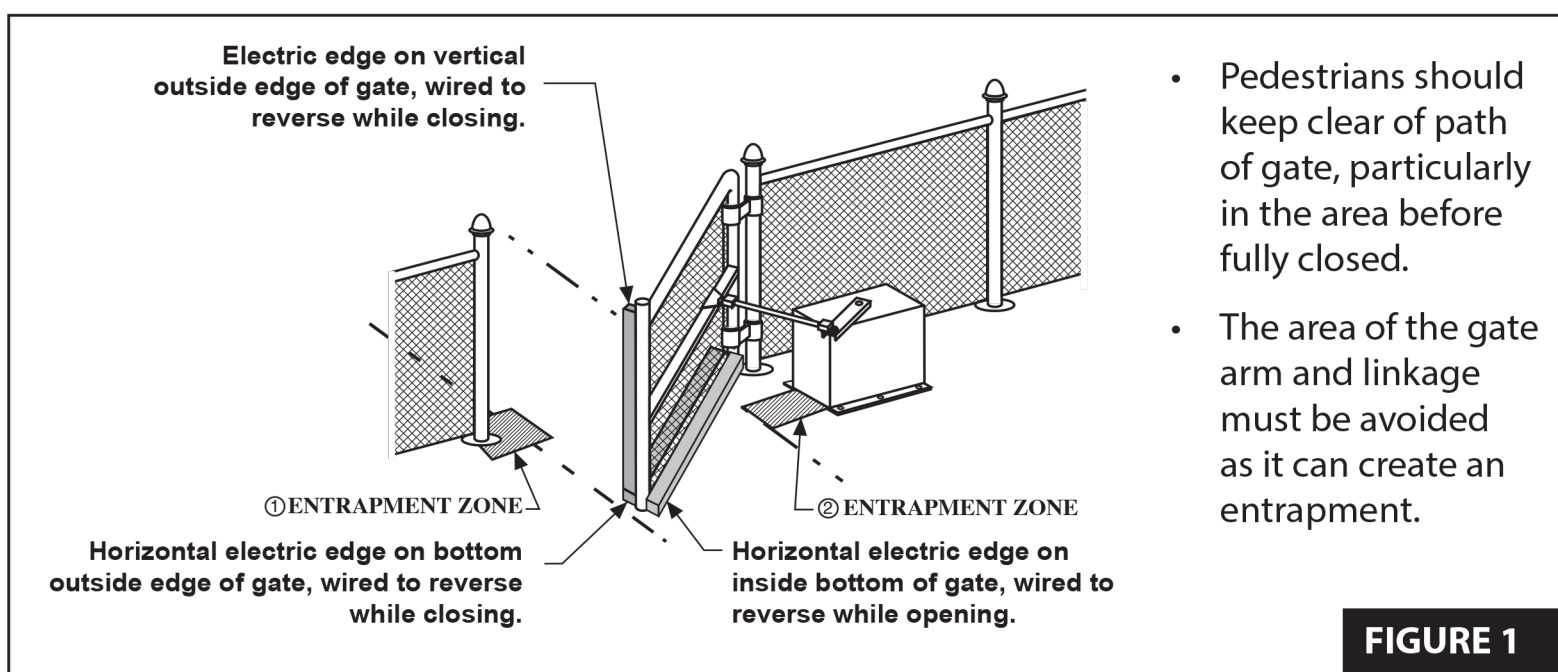
CLASS IV - RESTRICTED ACCESS VEHICULAR GATE OPERATOR

A vehicular gate operator (or system) intended for use in a guarded industrial location or building such as an airport area or other restricted access locations not servicing the general public, in which unauthorized access is prevented via supervision by security personnel.



SYSTEM DESIGNER SAFETY INSTRUCTIONS

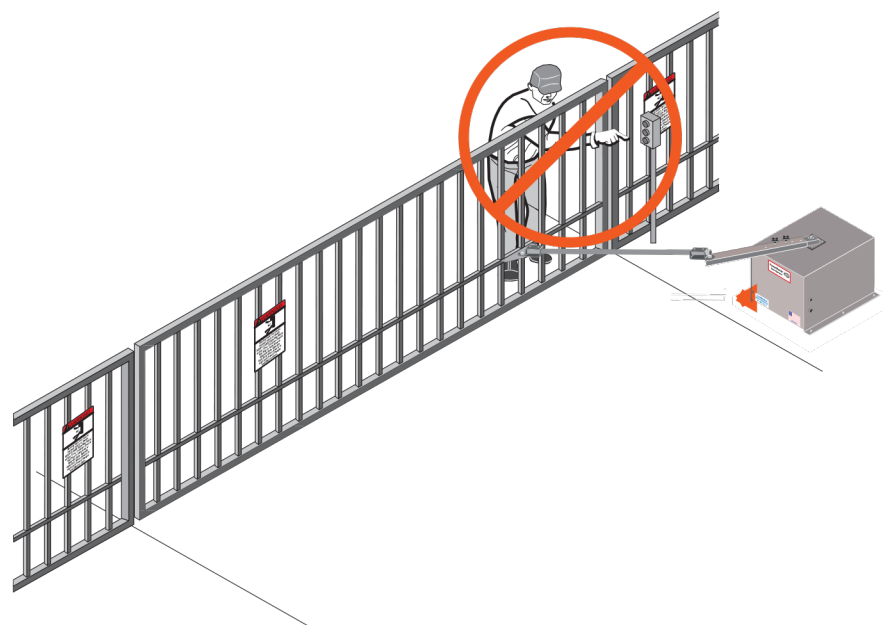
- ▲ 1. Familiarize yourself with the precautions and warnings for the installer. Users are relying on your design to provide a safe installation.
- ▲ 2. The operator is supplied with a primary obstruction sensing entrapment protection system. The installation must also have a secondary entrapment protection system installed, such as photoelectric sensors or an electric edge system.
- ▲ 3. When designing a system that will be entered from a highway or main thoroughfare, be sure the system is placed far enough away from the road to eliminate traffic backup. Distance from the road, size of the gate, usage levels, and gate cycle/speed must be considered to eliminate potential traffic hazards.
- ▲ 4. Swing gates have two potential entrapment zones you must avoid. Make sure they are protected as shown in the following diagram (**Figure 1**).



 WARNING	THIS GATE SYSTEM IS FOR VEHICULAR TRAFFIC ONLY. A SEPARATE PEDESTRIAN ENTRANCE MUST BE PROVIDED.
--	---

The illustrations and descriptive captions provide precautions to help eliminate injuries or fatalities. Familiarize yourself with them when designing the total system.

- ▲ 5. Design the gate system so a person cannot reach over, under, around, or through the gate to operate any controls. Never place controls on the gate operator itself.



INSTALLER SAFETY INSTRUCTIONS

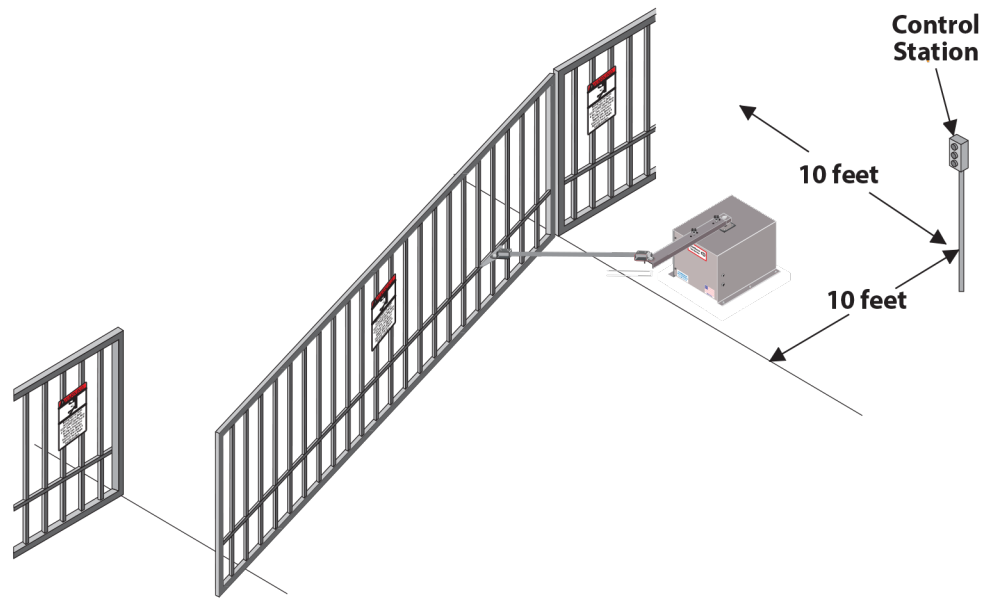
BEFORE INSTALLATION

- ▲ 1. Check to see that the operator is proper for this type and size of gate and its frequency of use. If you are not sure, consult factory.
 - ▲ 2. Check to see that there are no structures adjacent to the area, which may pose a risk of entrapment when gate is opening or closing.
 - ▲ 3. You must ensure that the gate has been properly installed and works freely in both directions. Replace or service any worn or damaged gate hardware prior to installation. A freely moving gate will require less force to operate and enhance the performance of the operator as well as the safety devices used within the system.
 - ▲ 4. Install the gate operator on the inside of the property and/or fence line. **DO NOT** install an operator on the public side of the gate.
 - ▲ 5. Severe injury or death can result from entrapment by a gate. The operator is supplied with an obstruction sensing primary entrapment protection system. Additional safety equipment such as electric edges or photocell sensors must be installed to provide the required secondary entrapment protection system. For assistance in selecting the correct type of safety equipment, consult the factory.
 - ▲ 6. Review the operation of the unit and become familiar with the manual operation procedure and safety features of the system.
 - ▲ 7. You must install a pushbutton control or key switch to allow for normal operation of the gate if the automatic controls do not work. Locate the push button or key switch and small warning placard within sight of the gate in a secured area at least 10 feet or more from any moving parts of the gate or operator.
 - ▲ 8. Outdoor or easily accessed gate controls should be of the security type to prohibit unauthorized use. Please consult your local distributor concerning the types and specifications of available controls.
-

DURING INSTALLATION

- ▲ 1. Be aware of all moving parts and avoid close proximity to any pinch points.
- ▲ 2. Disconnect power at the control panel before making any electric service connections. Connection location for controls and safety equipment can be found on the wiring diagram, and in this manual.
- ▲ 3. Know the procedure for disengaging and manually operating the unit.
- ▲ 4. Adjust the open and close force adjustment on the control board, in each direction, to the minimum force required to operate the gate smoothly. **DO NOT increase the force adjustment setting to make up for rough spots in gate travel - FIX THE GATE INSTEAD!**

- ▲ 5. Locate the controls at least 10 feet from the moving gate so that the user can observe the gate operation, but is not able to come in contact with the gate while operating the controls.



- ▲ 6. Attach large warning signs provided to each side of the gate or fence in the most conspicuous place. Mount control station and smaller warning placard together within sight of the gate opening.

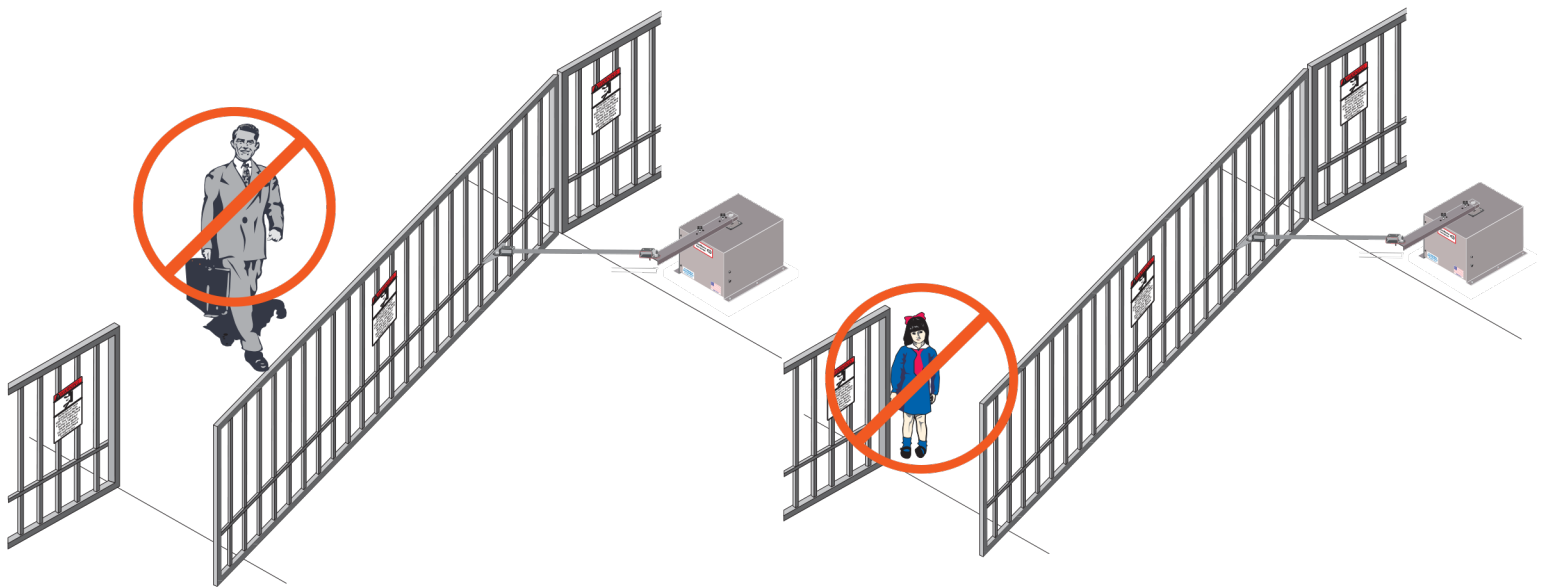
AFTER INSTALLATION

- ▲ You are responsible for ensuring that the end user understands the basic operations and safety systems of the unit, INCLUDING THE MANUAL OPERATION PROCEDURE.
- ▲ Point out that the safety instructions in brochure are the responsibility of the end user, and then **LEAVE THIS MANUAL WITH THE END USER.**

END USER SAFETY WARNINGS

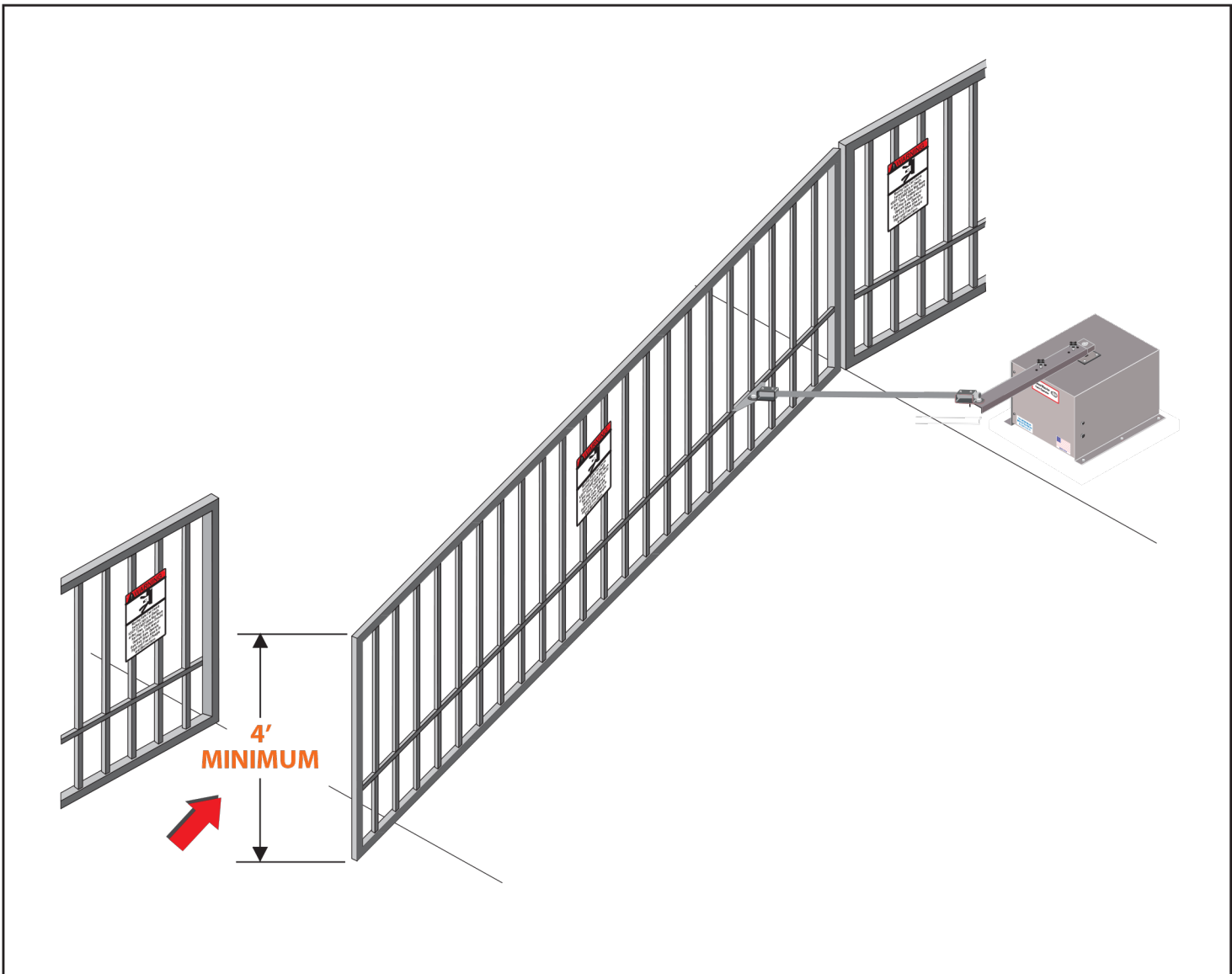
The manufacturer of the gate operator does not know what type of gate you have, or what type of automatic system is installed on your gate. Be sure you've been fully instructed on the sequence of operation for your specific gate system(s). Keep the gate properly maintained and have a qualified service person make repairs.

- ▲ 1. Be sure the following safety instructions are distributed to all persons authorized to use your gate.
- ▲ 2. **KEEP GATEWAY CLEAR (Front and Back) AT ALL TIMES.** Your automatic gate is not for pedestrian use. No one should ever cross the path of the moving gate.
- ▲ 3. **DO NOT** allow children to play near your gate, or to operate the gate.



- ▲ 4. **DO NOT** operate your gate system unless you can see it when the gate moves.
- ▲ 5. Be sure a pushbutton or key switch has been installed for manual electric operation in the event your radio or card key does not work. Any mounted control station should be located a minimum of 10 feet from the gate so the gate cannot be reached through or touched. Any pushbutton located in a building should be installed within sight of the gate.
- ▲ 6. **DO NOT** operate any controls without watching the movement of the gate.
- ▲ 7. Your gate system is required to have a primary and a secondary entrapment safety system installed and maintained.
- ▲ 8. If your gate closes automatically, loop detectors should be installed to detect the presence of a vehicle.

- ▲ 9. DO NOT increase force adjustment to compensate for a damaged gate. The gate should always be maintained to operate manually as easily as possible to provide maximum protection.
- ▲ 10. Check all safety systems at least once per month for the correct force, speed and sensitivity. Gate must reverse when hitting a rigid object, or when a non-contact sensor is activated. If these functions are observed to operate improperly, discontinue use and have it serviced immediately!
- ▲ 11. You are responsible for ensuring that warning signs are installed and maintained on both sides of your gate.
- ▲ 12. To ensure safe operation of this equipment, you must read this safety manual and keep it for reference.
- ▲ 13. Swing gates have two potential entrapment zones you must avoid. Make sure they are protected as shown in **Figure 1**.

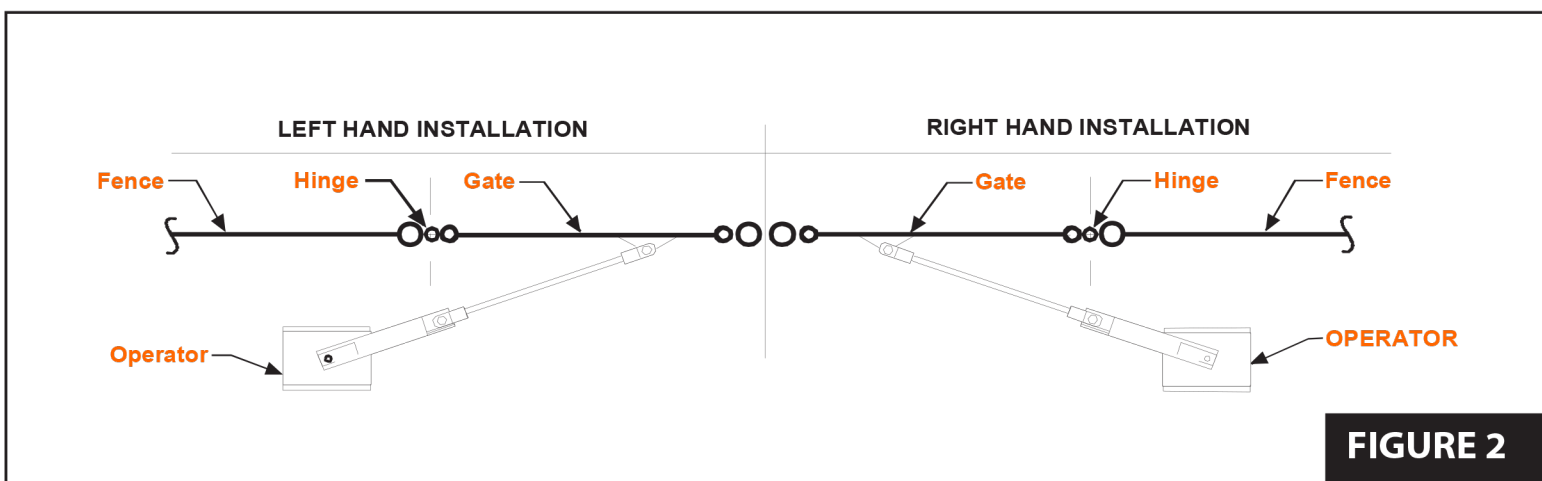


INSTALLATION INSTRUCTIONS & SET-UP PROCEDURE

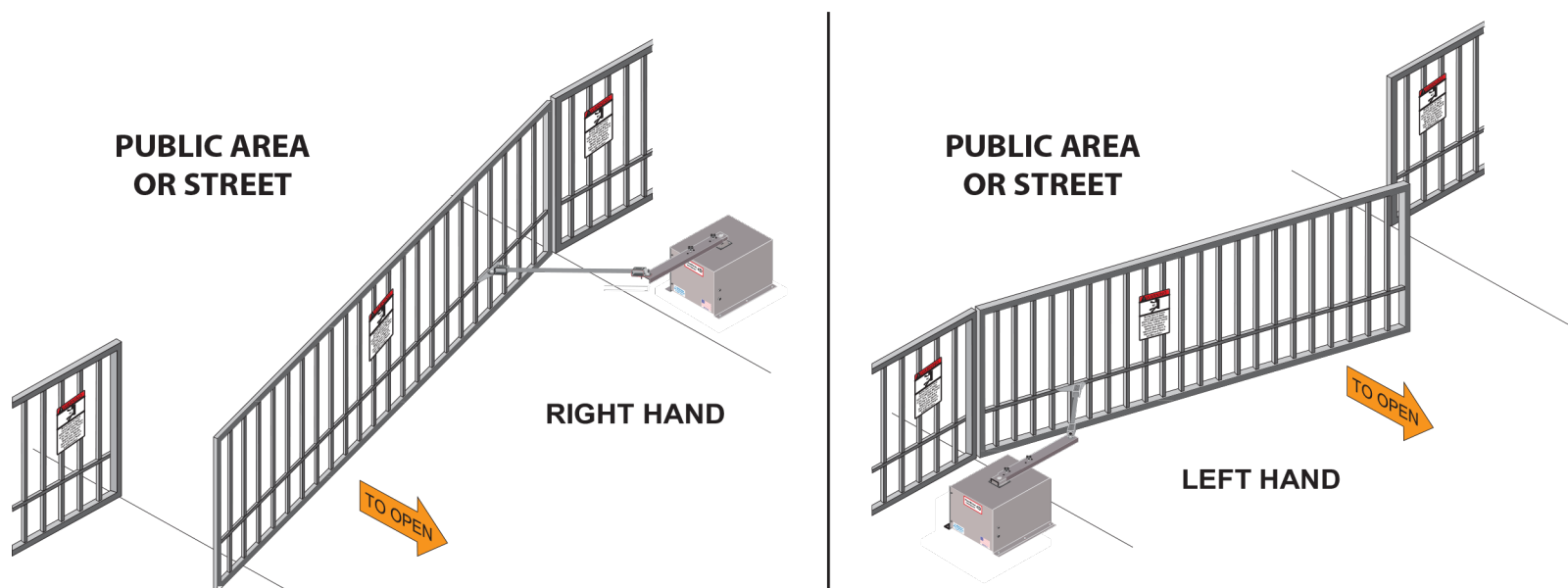
 WARNING	DO NOT APPLY POWER UNTIL TOLD TO DO SO! RISK OF ELECTRICAL SHOCK OR INJURY MAY RESULT!
--	---

BEFORE INSTALLING OPERATOR

IMPORTANT: Operator should always be mounted inside the gate. Determine whether the installation is Left hand or Right hand by the direction the gate moves in order to open, when viewed from inside the fence.

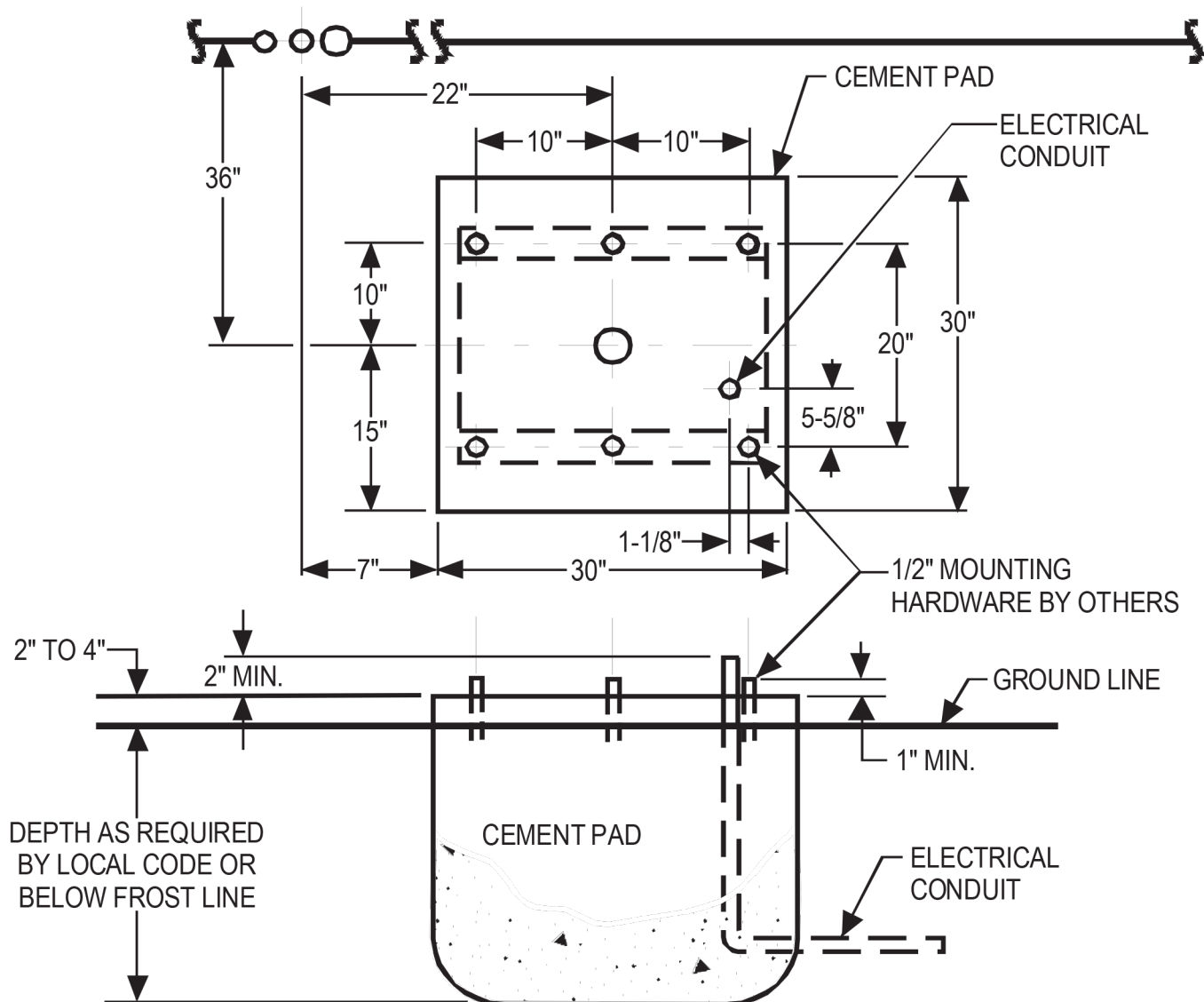


1. Gate must swing freely to fully opened and fully closed position.
2. The operator will be located as shown above, for left and right hand installation.

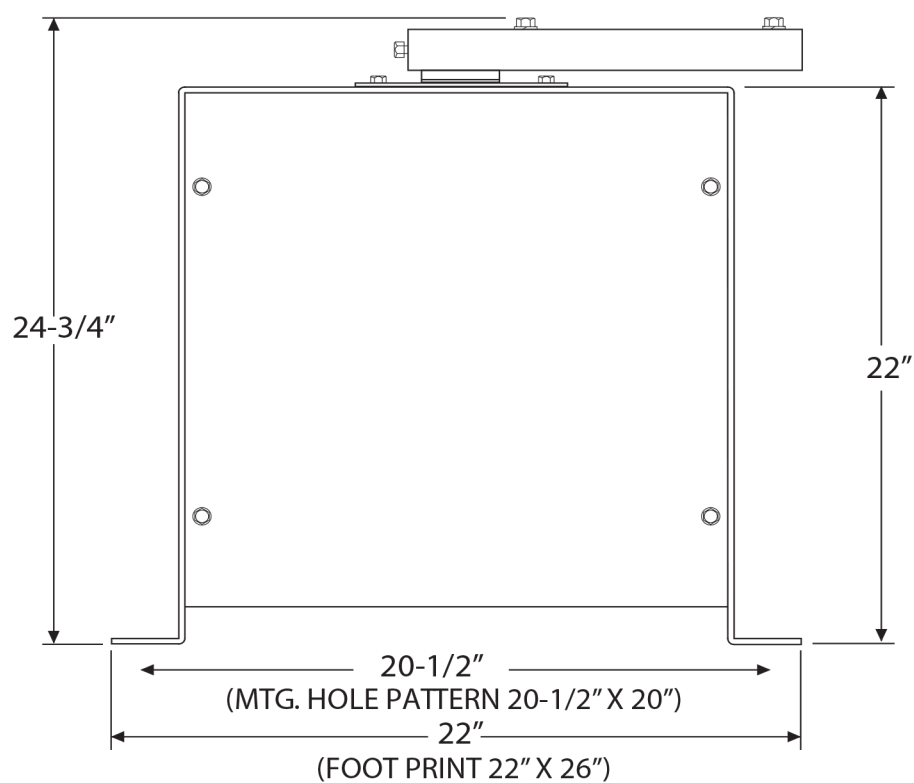


CSWI & DSWI CEMENT PAD LAYOUT

1. Lay out per drawing below.
2. Locate electrical conduit and mounting bolts.
Note: Bolt pattern must be parallel to fence line as shown.
3. Pour cement, ensuring top surface is level and allow 2 days cure time before installing operator.

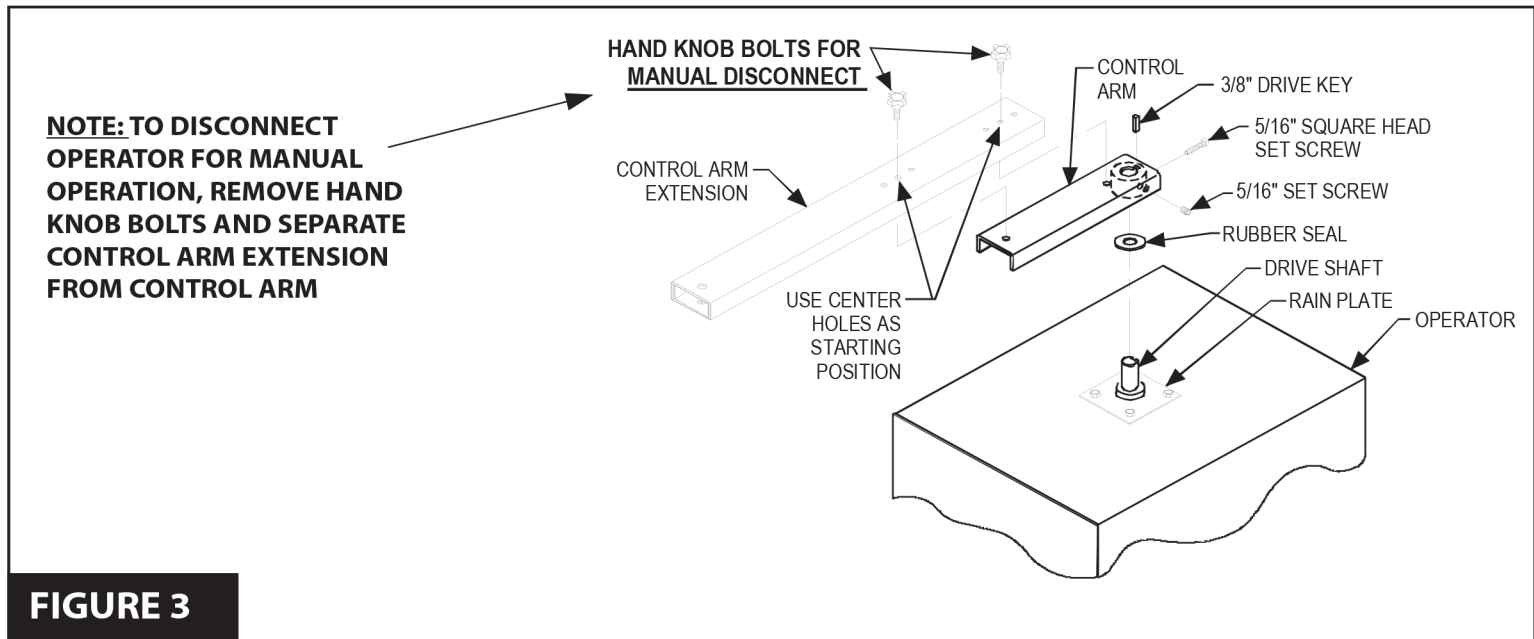


DSWI DIMENSIONS

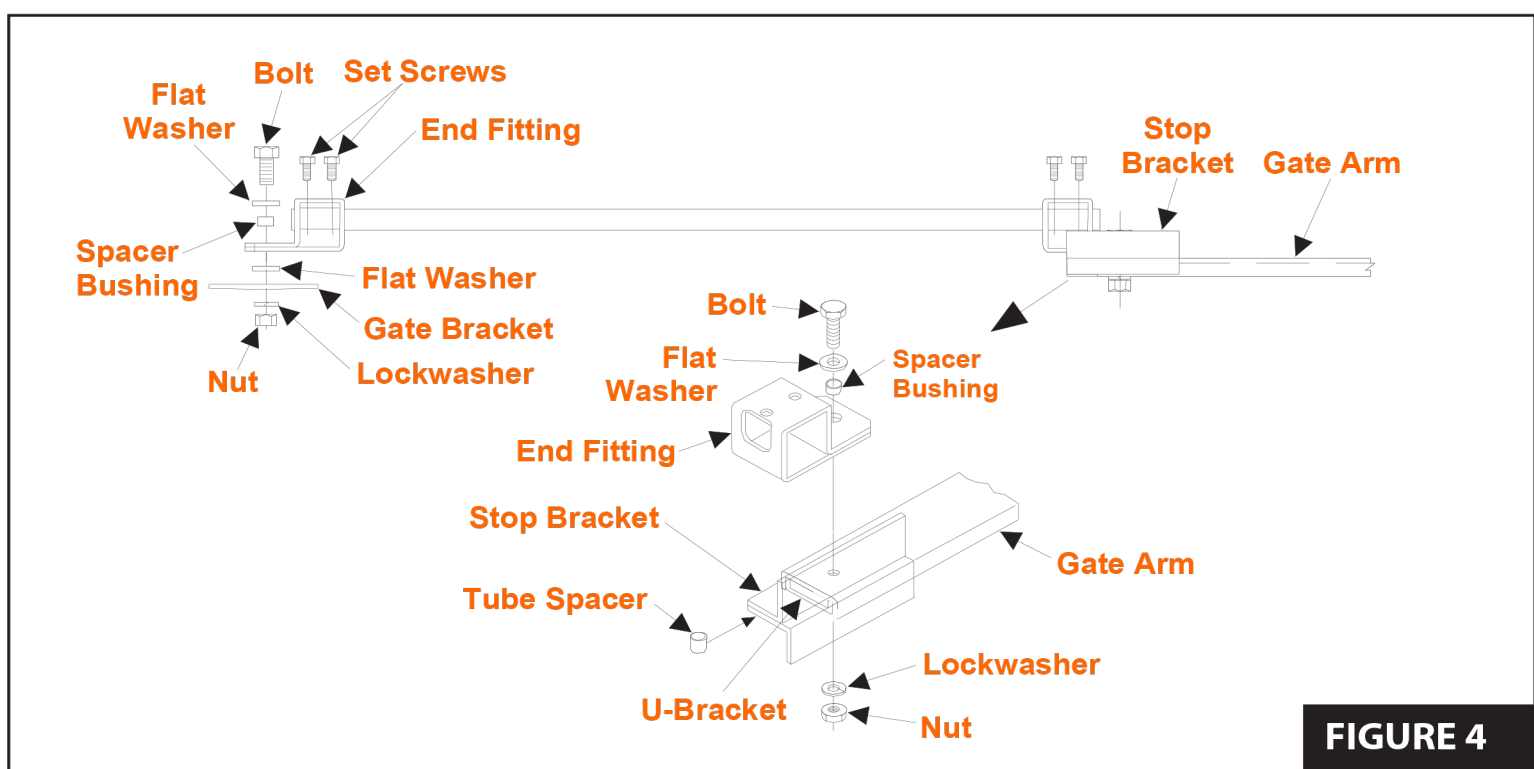


OPERATOR INSTALLATION

1. Mount operator on cement pad, locating electrical conduit under access hole, and secure position with 1/2 inch hardware.
2. Set control arm on output shaft of operator without drive key, and install control arm extension using hand knobs to secure position. The diagram below shows the correct holes to start with.



3. Install end fittings on connecting rod and attach assembly to end of control arm extension with stop bracket, as shown below.
4. Install gate bracket on end of connecting rod.



5. Locate gate bracket in position on gate, as shown below, and clamp in position.
6. Move control arm to its maximum close position. Arm assembly should be in locked position against stop bracket.

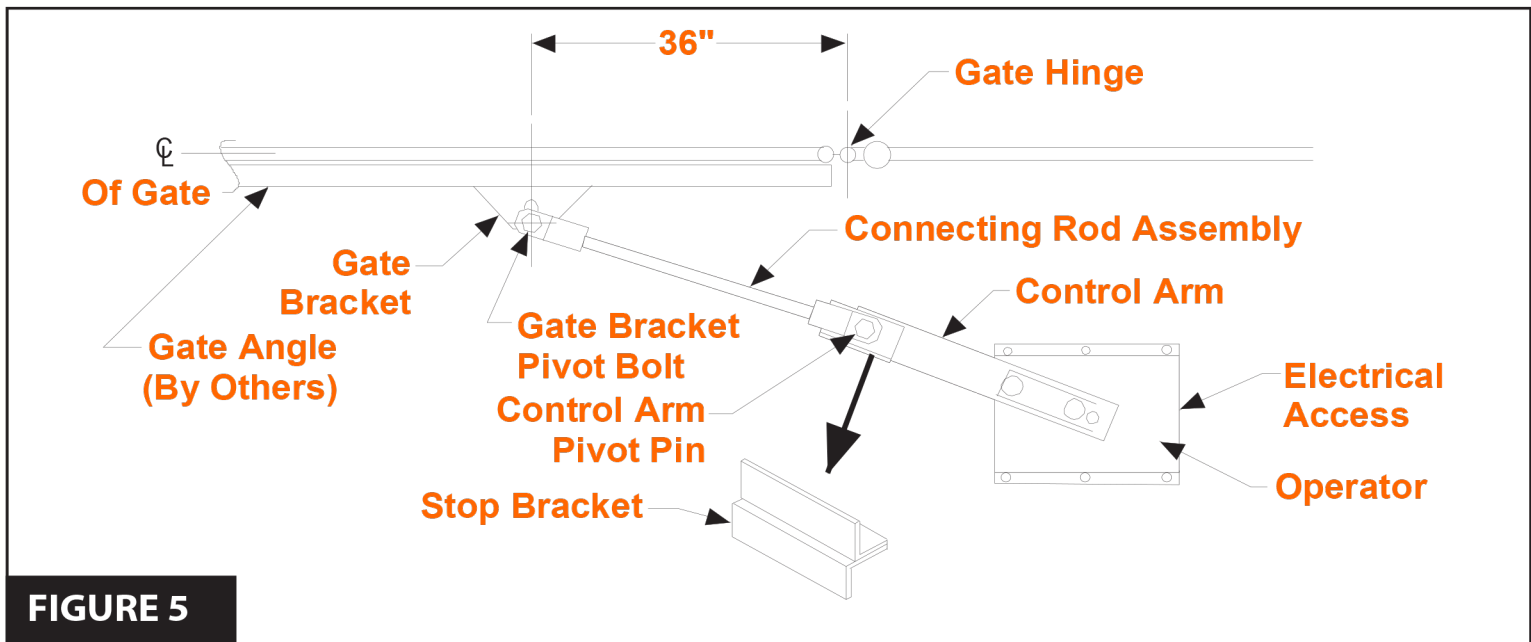
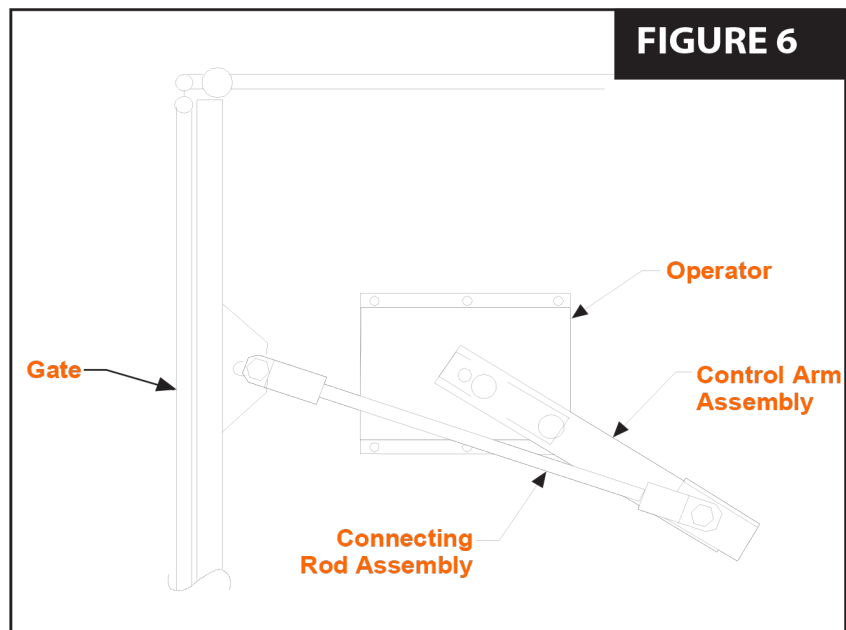


FIGURE 5

Note: Adjustment can be made in (4) locations to get desired closed position, as described below. Always start with Option "a".

- a. Move the gate bracket to left or right of the 36 inch starting position.
 - b. Change length of connecting rod assembly.
 - c. Relocate control arm extension on control arm to a different hole pattern than start position.
 - d. Move connecting rod bolt in gate bracket to a different hole. See **Figure 5**.
7. Move control arm to its open position as seen in **Figure 6**.

Note: Open position of gate may be adjusted slightly with limit switch adjustment, but when finished, open position of control arm assembly should be as close as possible to that shown in **Figure 6**. If mechanical adjustments are made to achieve desired open position of gate, repeat **Steps 6 & 7**, since this will affect the closed position.



8. When the desired open and closed gate position have been achieved, place gate in the fully closed position and remove control arm extension from control arm. See **Figure 3**.
9. Remove control arm from operator drive shaft and insert drive key.
10. Replace control arm on operator drive shaft with drive key and secure with (2) 5/16 set screws.
11. Replace control arm extension on control arm and secure with hand knobs.

MANUAL OPERATION

Disconnect operator control linkage in order to manually operate the gate as follows:

1. Unscrew and remove (2) hand knob bolts connecting control arm extension to control arm.
2. Lift control arm extension with linkage off of control arm.
3. Fold control arm and linkage against gate.
4. Manually open and close gate as required.

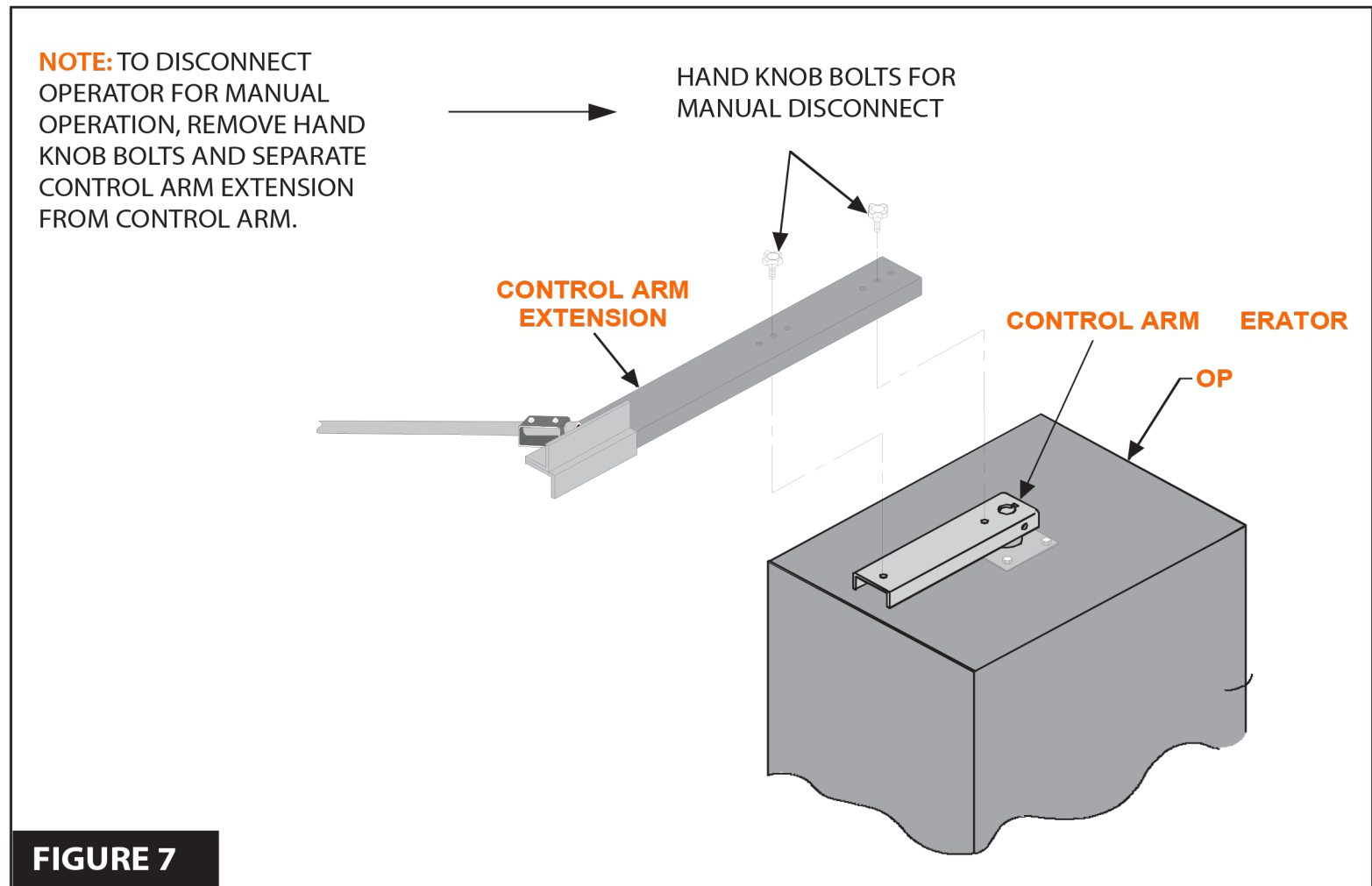


FIGURE 7

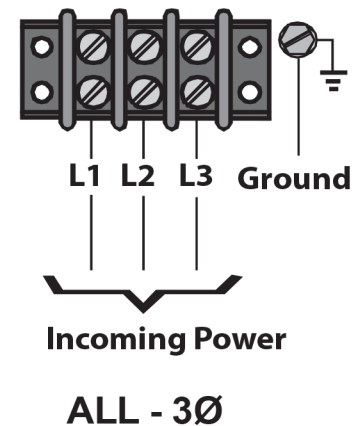
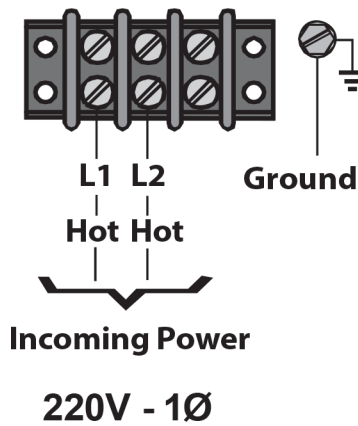
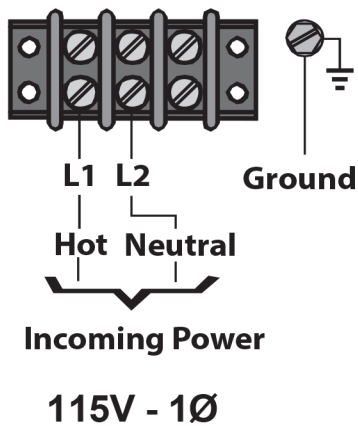
ELECTRICAL SET-UP AND CONNECTIONS

 WARNING	DO NOT APPLY POWER UNTIL TOLD TO DO SO! RISK OF ELECTRICAL SHOCK OR INJURY MAY RESULT!
--	---

CONNECTION OF INCOMING POWER

NOTE: Before connecting the operator to an incoming power supply, use a voltmeter to determine that the electrical service is the same as that on the operator label. If the operator is connected to an incorrect power supply, damage will result, which is NOT covered by warranty.

1. Be sure the power switches at source, and at the operator are **OFF**.
2. In the diagram below, find the supply power that matches your installation and connect as shown.



NOTE: Wiring to operator must use watertight materials in accordance with local electric code. See the following wire gauge/distance charts for proper sizing. Master/Slave installations should have SEPARATE power supply wiring or length of wire runs should be figured at half that shown on the chart. This unit must be grounded in accordance with N.E.C. and local codes.

LOW VOLTAGE WIRE GAUGE/ DISTANCE CHART	
24 AWG: UP TO 150'	
20 AWG: 150' - 200'	
18 AWG: 250' - 1,500'	
Control wiring should be run as twisted pairs. DO NOT run control wires in the same conduit as power wires, telephone wires, or loop detector leads.	

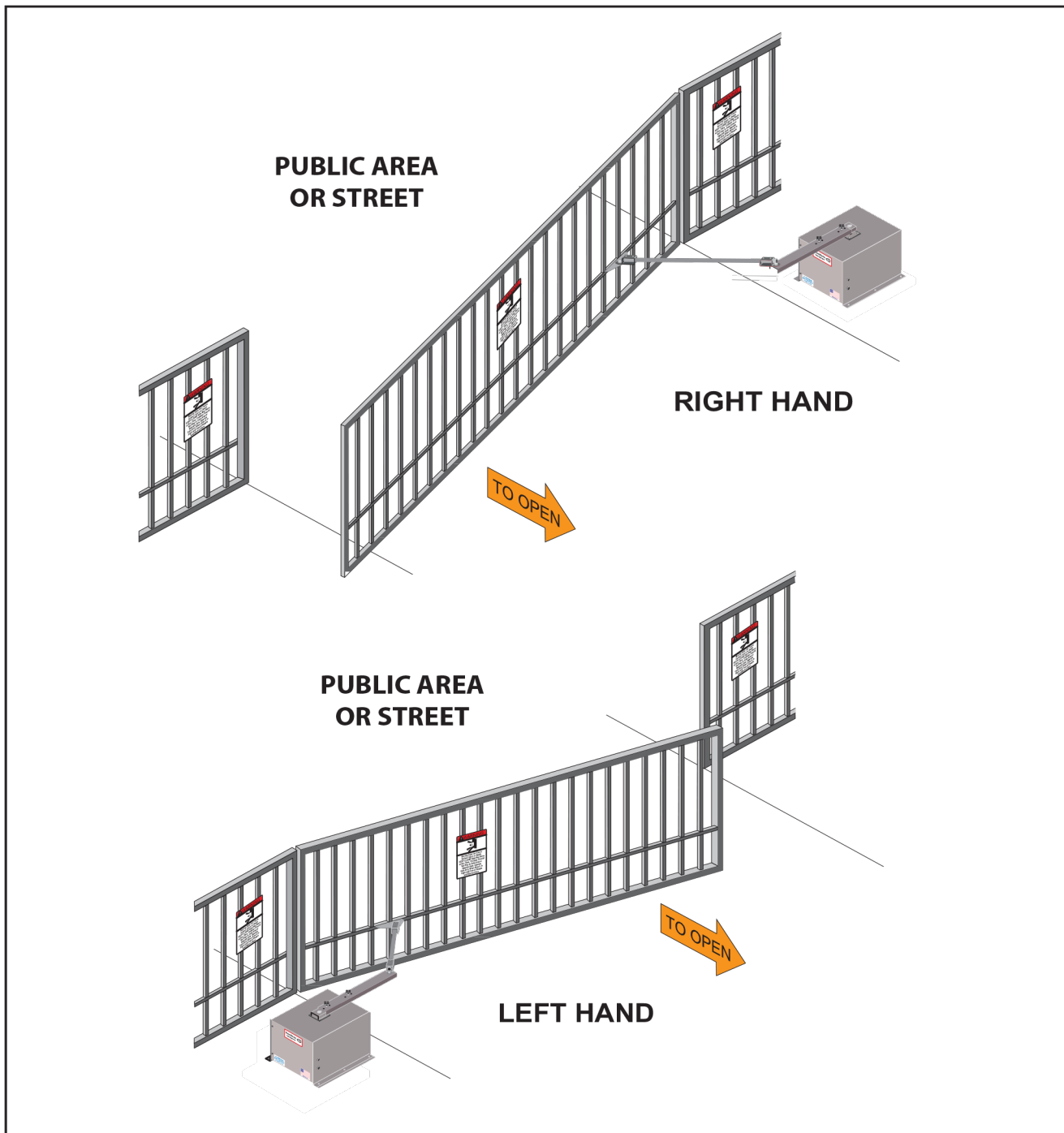
LINE VOLTAGE	HP	WIRE GAUGE				
		14 AWG	12 AWG	10 AWG	8 AWG	6 AWG
1 PHASE 115V 208-230V	1/2	150/350	250/400	400/500	500/700	650/1000
	3/4	-----	150/250	250/400	400/600	500/850
	1	-----	-----	150/300	250/450	400/700
3 PHASE 208 - 230V 440-460V	1/2	450/2000	750/300	1200/4300	-----	-----
	3/4	350/1500	600/2400	900/3700	1100/4500	-----
	1	300/1200	450/1900	750/3000	900/4800	-----
	1-1/2	200/800	400/1500	500/2000	900/4800	-----

INSTALLATION OPTIONS

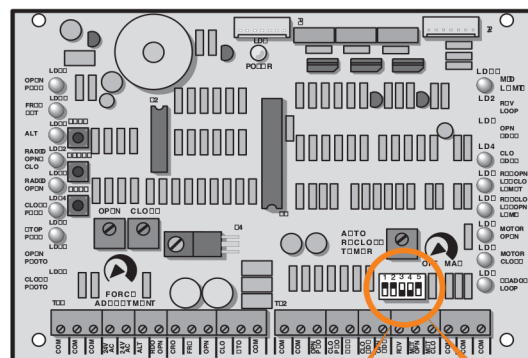
LEFT/RIGHT HAND CONVERSION:

Determine the hand of the operator required for this installation by checking the direction the gate moves in order to open, when viewed from inside the fence. Swings RIGHT to open is a right hand installation; swings LEFT to open is a left hand installation.

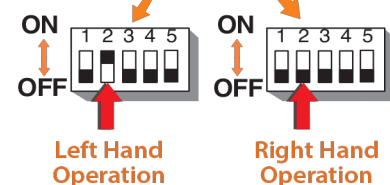
NOTE: FOR DSWI UNITS AND CSWI UNITS WITH THE POWERMASTER CONTROL BOARD (BLUE), PLEASE REFER TO THE POWERMASTER CONTROL BOARD MANUAL INCLUDED WITH YOUR OPERATOR.



NOTE: This unit is factory setup for **RIGHT HAND** operation. To convert operator to left hand operation, move Dipswitch #2 to **ON** position.

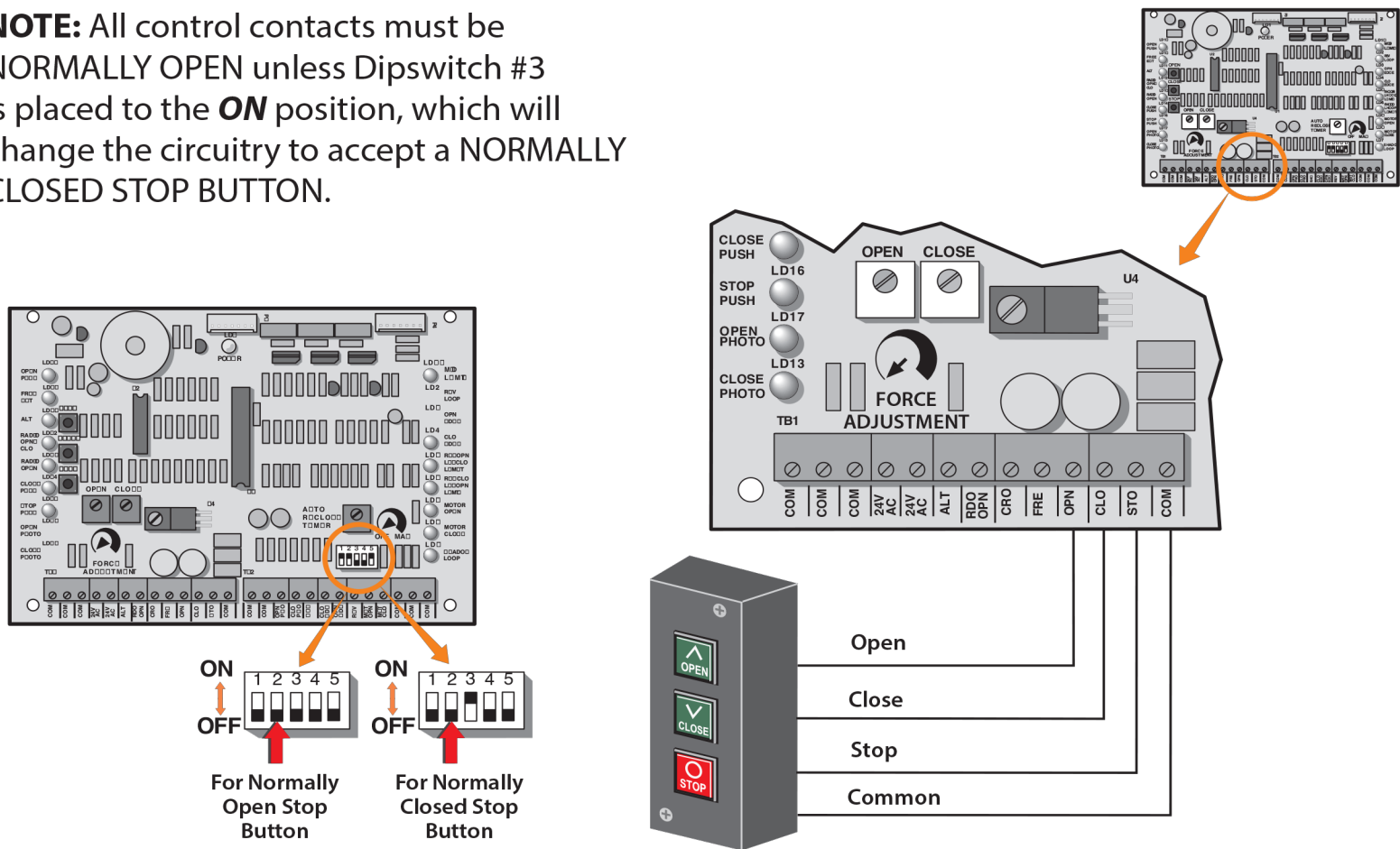


Place Dipswitch #2 in the ON position for Left Hand Operation and in the OFF position for Right Hand Operation.



CONNECTION OF A THREE-BUTTON STATION

NOTE: All control contacts must be NORMALLY OPEN unless Dipswitch #3 is placed to the **ON** position, which will change the circuitry to accept a NORMALLY CLOSED STOP BUTTON.

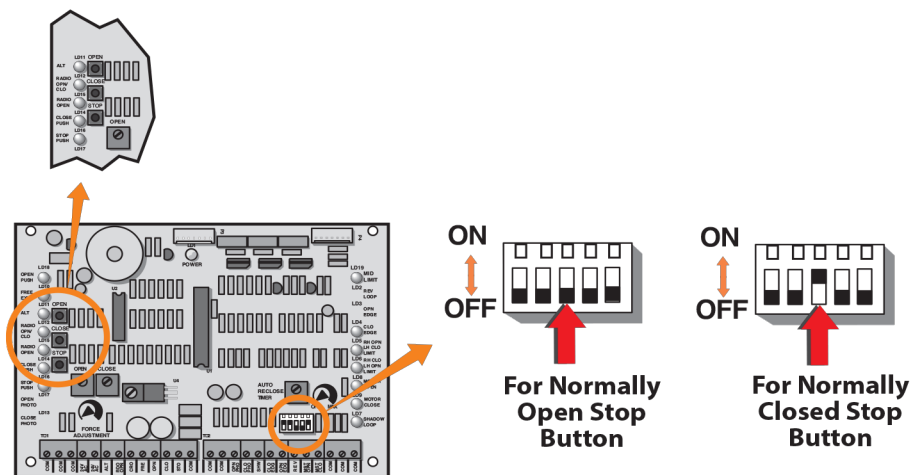


1. Connect a wire from the **COMMON** connection of the control station to any **“COM”** terminal on the control board.
2. Connect a second wire from the **OPEN** button of the control station to the **“OPN”** terminal on the control board.
3. Connect a third wire from the **CLOSE** button of the control station to the **“CLO”** terminal on the control board.
4. Connect a fourth wire from the **STOP** button of the control station to the **“STO”** terminal on the control board.

BOARD MOUNTED CONTROL STATION

If Dipswitch #3 is in the **OFF** position, the board mounted three button station will function normally.

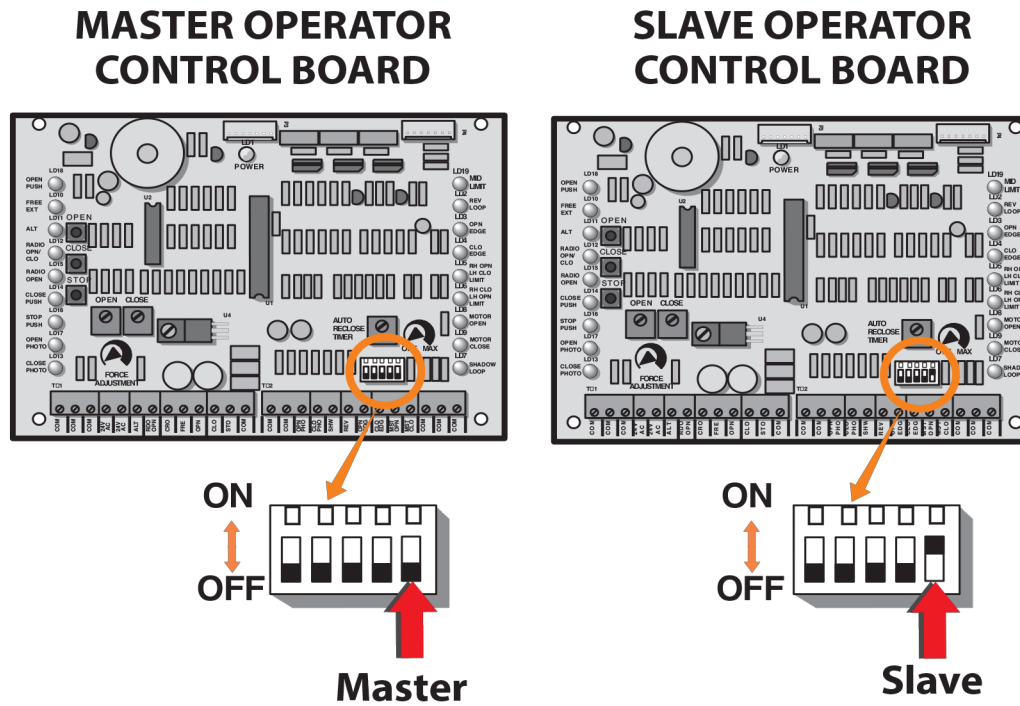
NOTE: If Dipswitch #3 is in the **ON** position for use with a NORMALLY CLOSED STOP BUTTON, then the board mounted **STOP** button must be held depressed in order to use the open and close buttons. Releasing the stop button will then stop the operator.



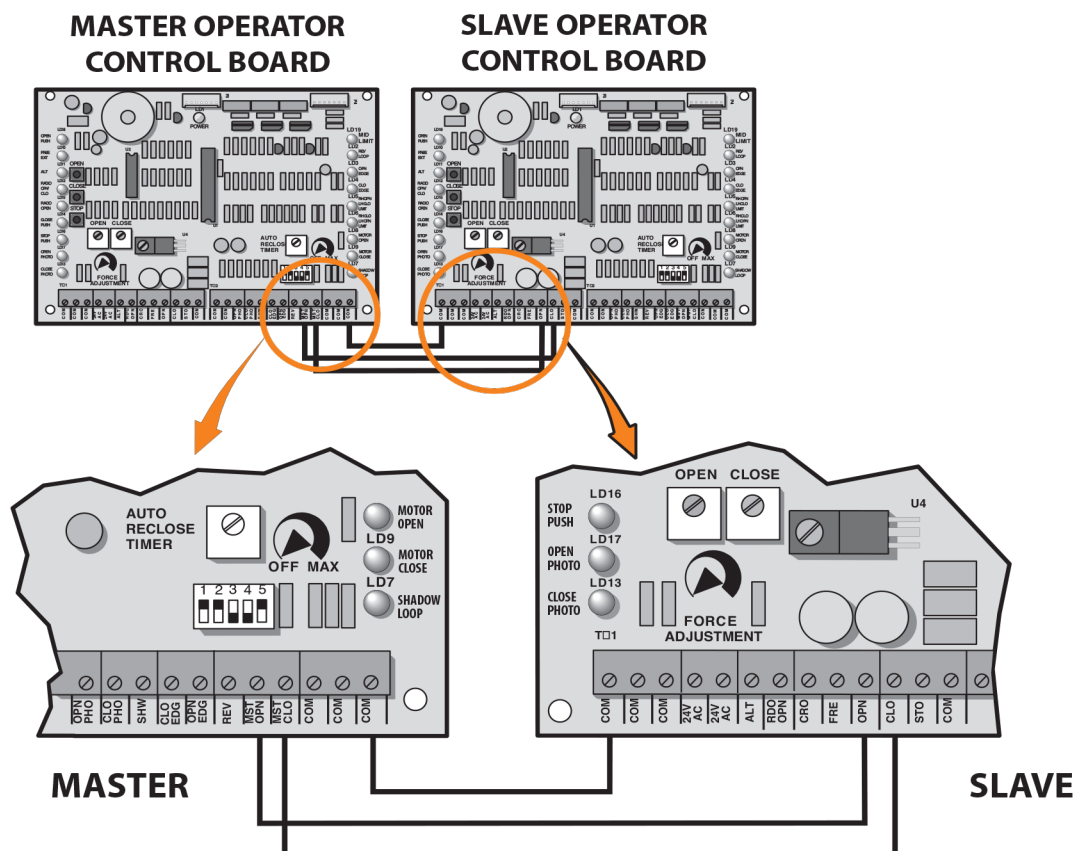
MASTER-SLAVE INSTALLATION

NOTE: A single unit is considered a Master. In a Master/Slave installation, one unit must be converted to LEFT HAND operation.

1. Place Dipswitch #5 on the **Master** operator's control board in the **OFF** position.
2. Place Dipswitch #5 on the **Slave** operator's control board in the **ON** position.



3. Connect a wire from the "MST OPN" terminal on the **Master** operator's control board to the "OPN" terminal on the **Slave** operators control board.
4. Connect a second wire from the "MST CLO" terminal on the **Master** operator's control board to the "CLO" terminal on the **Slave** operators control board.
5. Connect a third wire from any "COM" terminal on the **Master** operator's control board to any "COM" terminal on the **Slave** operator's control board.



LIMIT ADJUSTMENT PROCEDURE

 **WARNING**

READ ENTIRE PROCEDURE BEFORE STARTING. TURN OFF MAIN POWER BEFORE MAKING ANY ADJUSTMENTS!

 **WARNING**

STAY CLEAR OF ALL MOVING PARTS AND ELECTRICAL COMPONENTS OF THE OPERATOR WHILE TESTING!

NOTE: Operator should be completely installed, mechanically and electrically, before attempting to set limit switch cams.

NOTE: For Master/Slave installation, travel time for the master operator must be set longer than the slave operator.

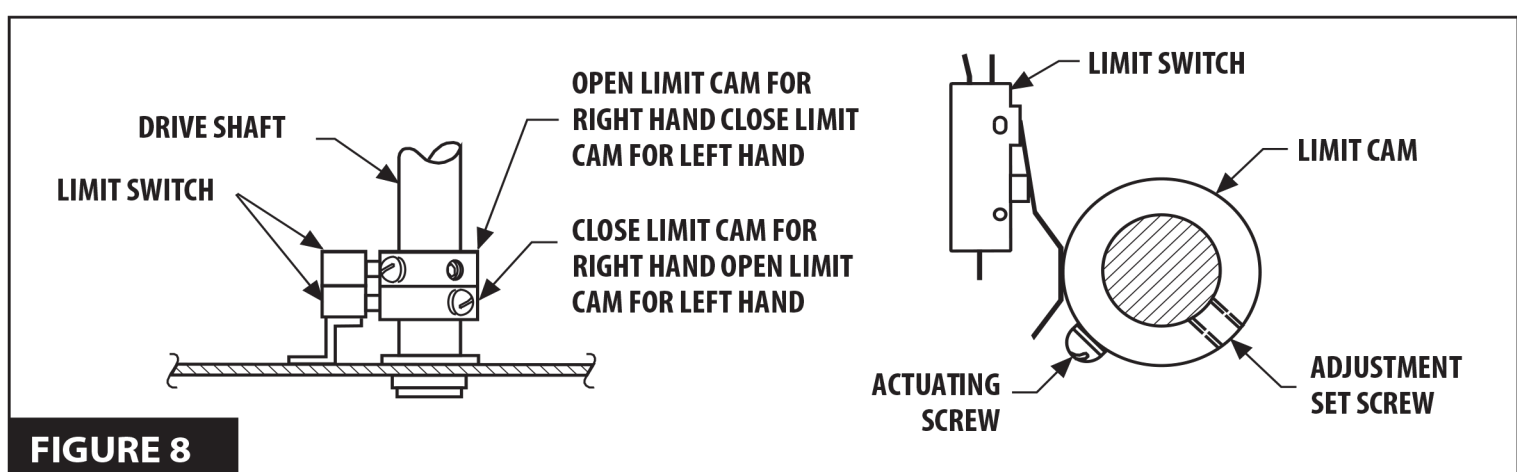
OPEN LIMIT SWITCH ADJUSTMENT

1. Turn on power. Press open button on control station. Gate should stop before full open position is reached. If gate does not stop when open position is reached, **PRESS STOP BUTTON!**
2. To adjust gate for more open travel, loosen **Open Limit Cam Set Screw** and rotate limit cam in the opposite direction drive shaft rotates to open gate. Re-tighten set screw after adjustment.
3. If it was necessary to stop gate, adjust **Open Limit Switch Cam** for less open travel by rotating the cam in the same direction that the drive shaft rotates to open the gate.
4. Press **CLOSE** button and stop gate in mid travel with **STOP** button.
5. Repeat procedure until desired open setting is obtained.

CLOSE LIMIT SWITCH ADJUSTMENT

1. Press **CLOSE** button on control station. Gate should stop before full closed position is reached. If gate does not stop when close position is reached, **PRESS STOP BUTTON!**
2. To adjust gate for more close travel, loosen **Close Limit Cam Set Screw** and rotate limit cam in the opposite direction drive shaft rotates to close gate.
3. If it is necessary to stop gate, adjust **Close Limit Switch Cam** for less close travel by rotating the cam in the same direction that the drive shaft rotates to close the gate.
4. Press **OPEN** button and stop gate in mid travel with **STOP** button. Repeat procedure until desired close setting is obtained.

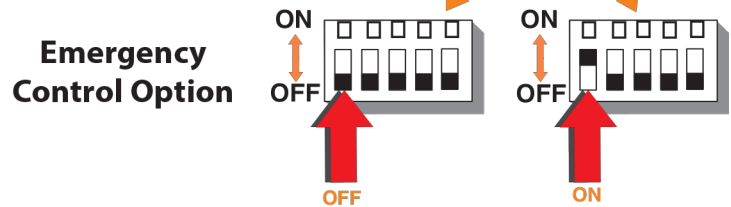
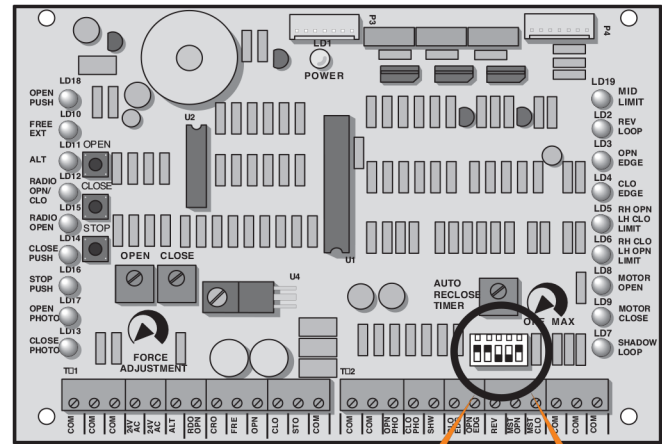
NOTE: After both **OPEN** and **CLOSE** limit adjustments are complete, check that both limit cam set screws are tight.



EMERGENCY CONTROL STATION OPTION

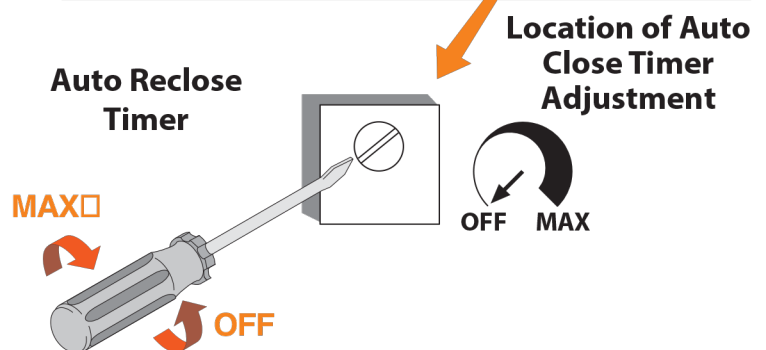
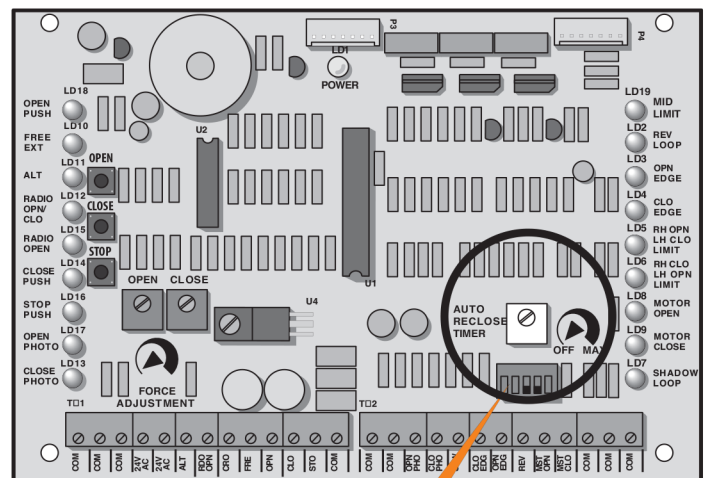
Provision has been made to change the control station operational mode to one that would only be activated when the entrapment sensing system is in stop mode; with the warning horn activated. This would give a person access to control the gate in an emergency situation, but it would be inoperative under normal circumstances. To activate this option, move Dipswitch #1 to the **ON** position.

NOTE: When this emergency mode of operation is activated, the control station functions as a constant pressure control.



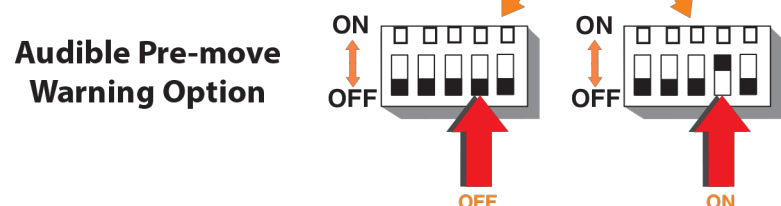
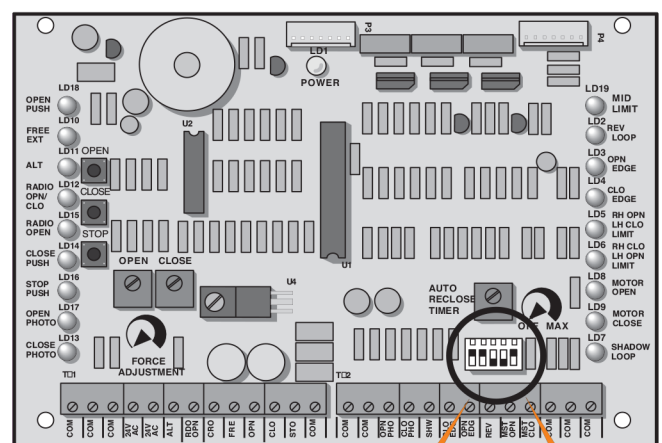
TIMER TO CLOSE OPTION

The operator is equipped with a **timer to close** option for use with **OPEN ONLY** control devices, such as a radio control or card key control. The AUTO RECLOSE TIMER adjustment screw is located on the printed circuit board. The operator is shipped from the factory with this timer preset to the **OFF** position, fully counter-clockwise. As the timer adjustment screw is rotated clockwise, the closing of the gate can be delayed from 2 seconds to 60 seconds. The timer to close will be activated whenever the gate is stopped, except in the closed position.



AUDIBLE PRE-MOVE WARNING

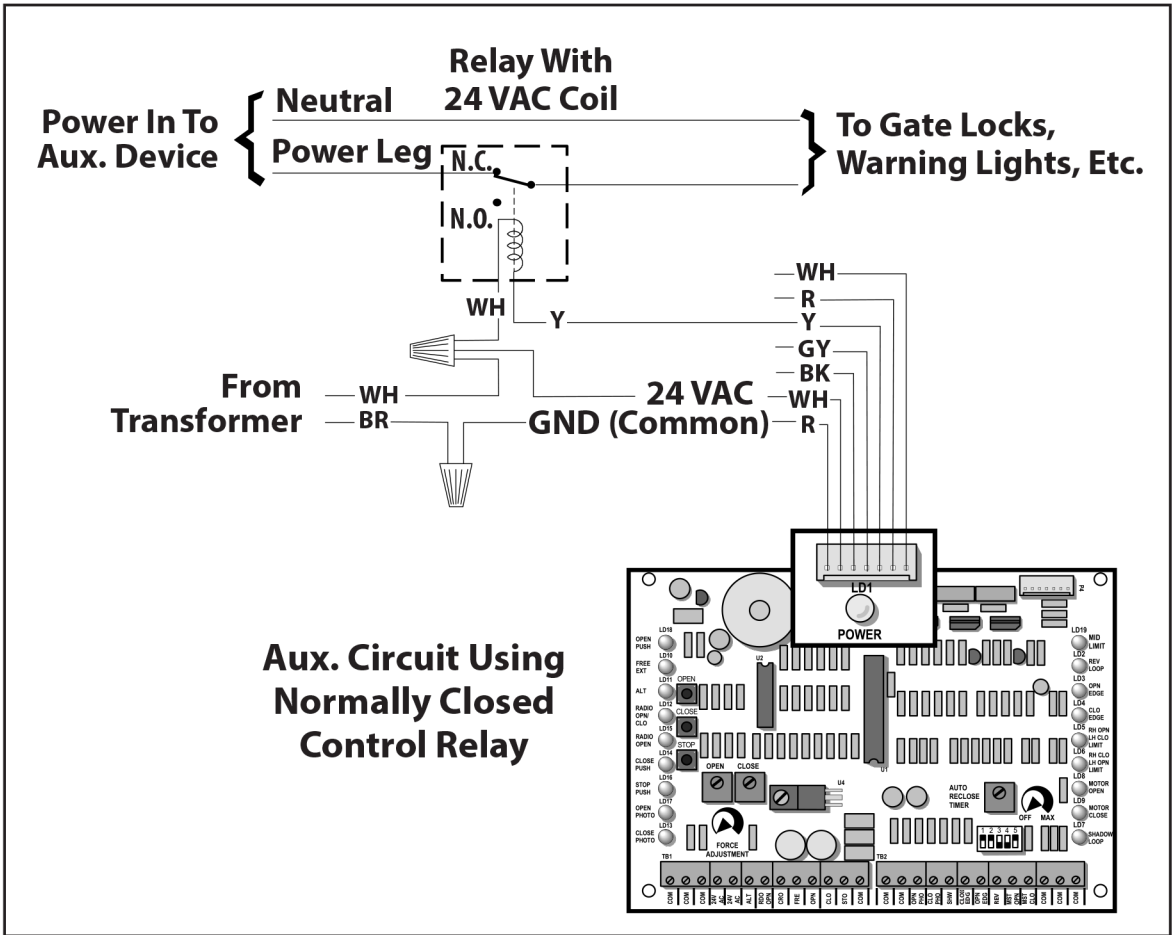
By moving Dipswitch #4 to the **ON** position, the option of a 3-second audible warning before gate movement may be selected.



AUXILIARY CIRCUIT FOR USE WITH GATE LOCKS, WARNING LIGHTS, ETC.

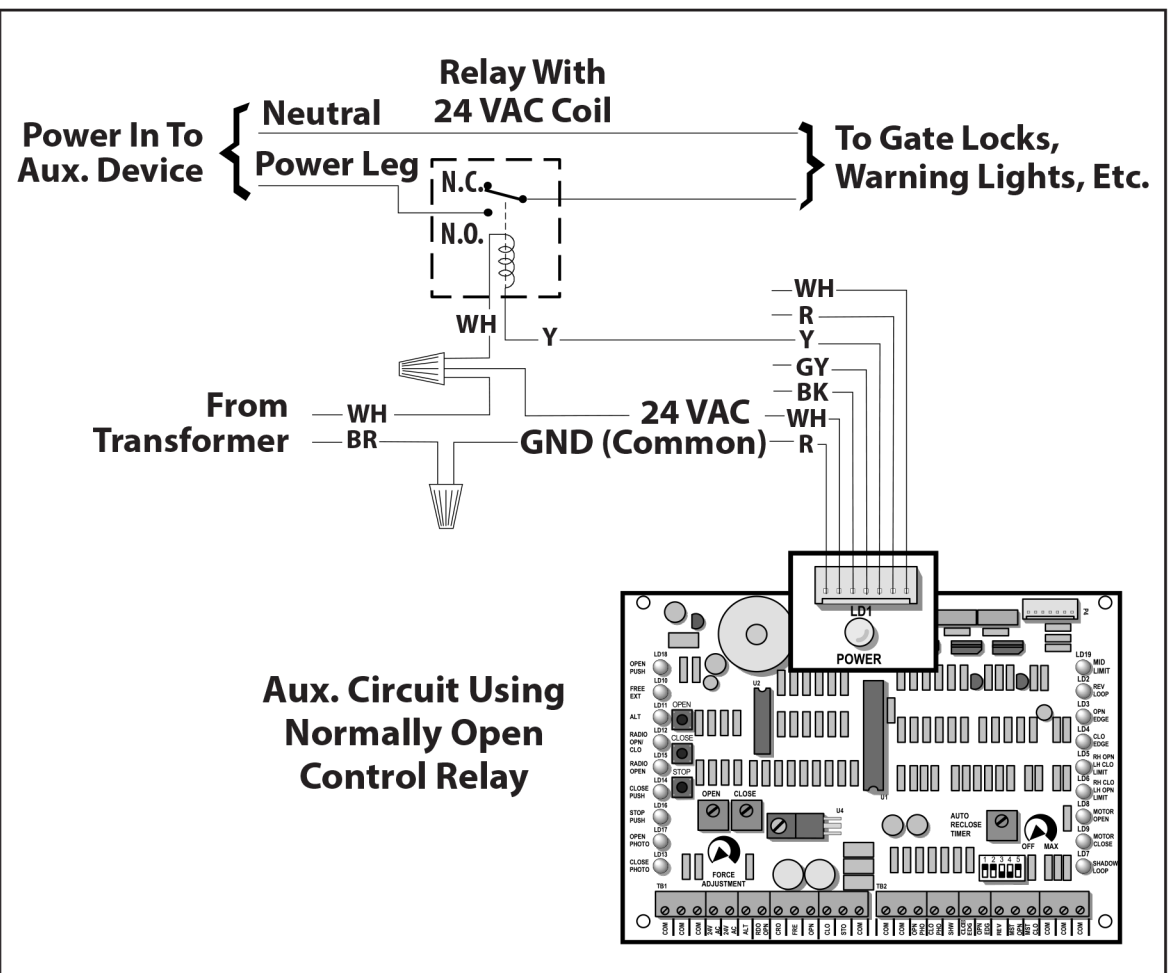
An auxiliary 24VAC power circuit (for use with a 24V control relay) has been provided. This circuit will be activated just prior to gate movement and will continue to be active until the gate stops. It may be used to control a gate lock, activate warning lights and solenoid controlled devices, or any other system required during this time interval. Two control options are available.

OPTION #1: POWER REMOVED DURING GATE MOVEMENT



The diagram on the left shows the connection of a device, such as a magnetic gate lock, **requiring the removal of power during the gate movement.**

OPTION #2: POWER SUPPLIED DURING GATE MOVEMENT

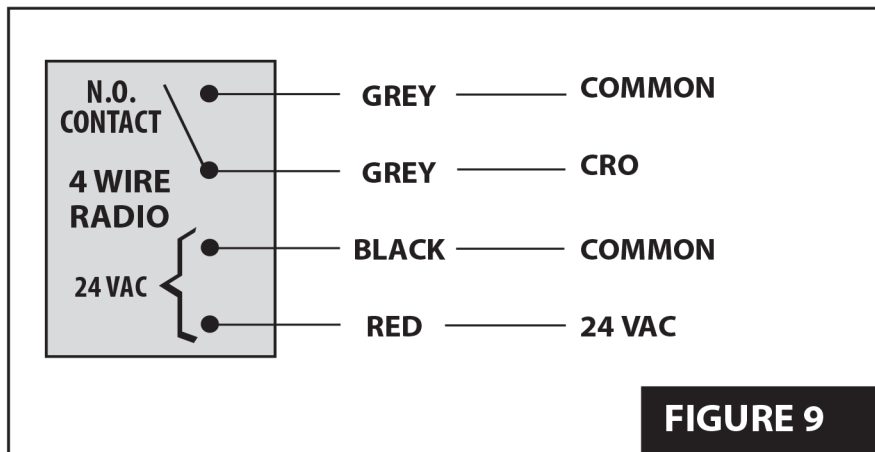


This diagram shows the connection of a device, such as a solenoid operated gate lock, **requiring power during gate movement.**

ACCESSORY CONNECTIONS

RADIO CONTROL INSTALLATION

A three or four wire radio control receiver can be installed on this operator. This radio control receiver can only be used to open the gate, therefore the **TIMER TO CLOSE** option must be activated for closing.



NOTE: If your radio's connecting wires are not color coded as shown, see the radio's installation manual to determine which wires are for the normally open contacts and which require the 24VAC Power Supply.

FIGURE 9

LOOP DETECTOR SYSTEMS AND INSTALLATION

Figure 10 depicts the typical loop options for a Swing Gate installation.

1. The **Exit Loop** provides a signal to open the gate when a vehicle enters the loop zone.
2. The **Reversing Loop** protects a vehicle in the loop zone from being contacted with the gate by overriding any close signal while the gate is open, and by reversing the gate if closing.
3. The **Shadow Loop** protects a vehicle in the loop zone from being contacted with the gate by overriding any close signal while the gate is in full open position.

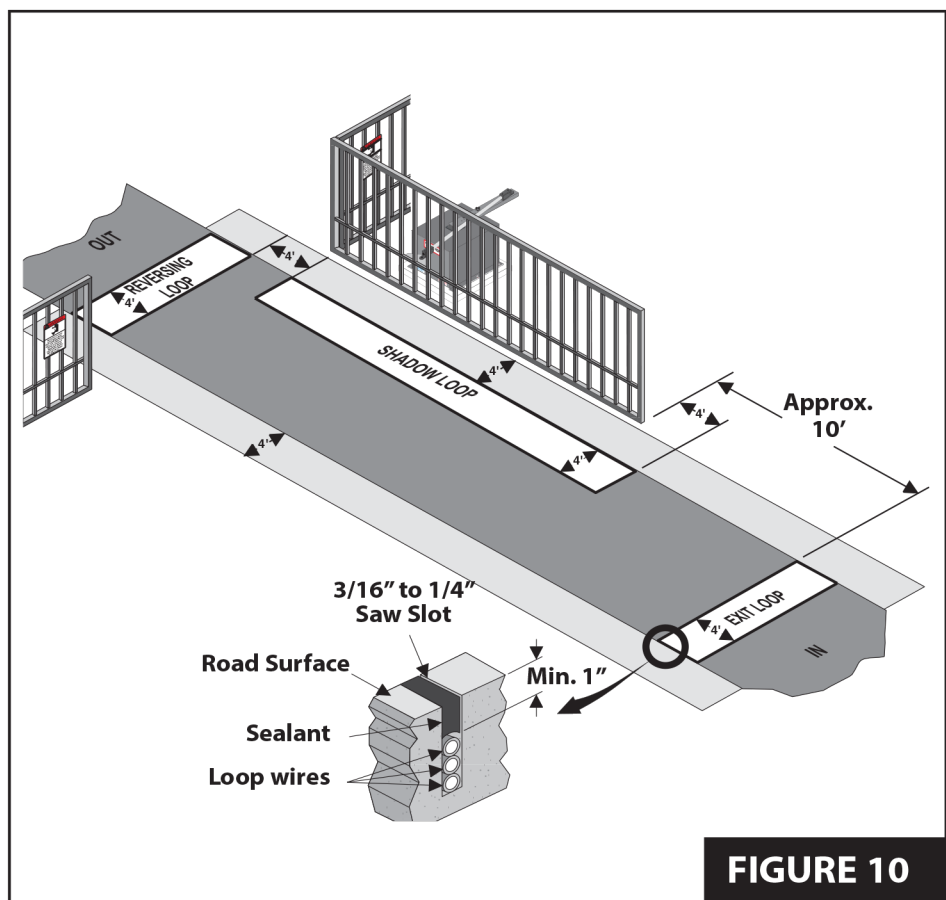


FIGURE 10

LOOP INSTALLATION

1. Lay out the desired loop locations per the diagram. The standard size chart below will give an approximate length of wire required for various loop dimensions and number of turns required. The length of the lead in wires should be added to this amount to get the total amount of wire required for the installation.

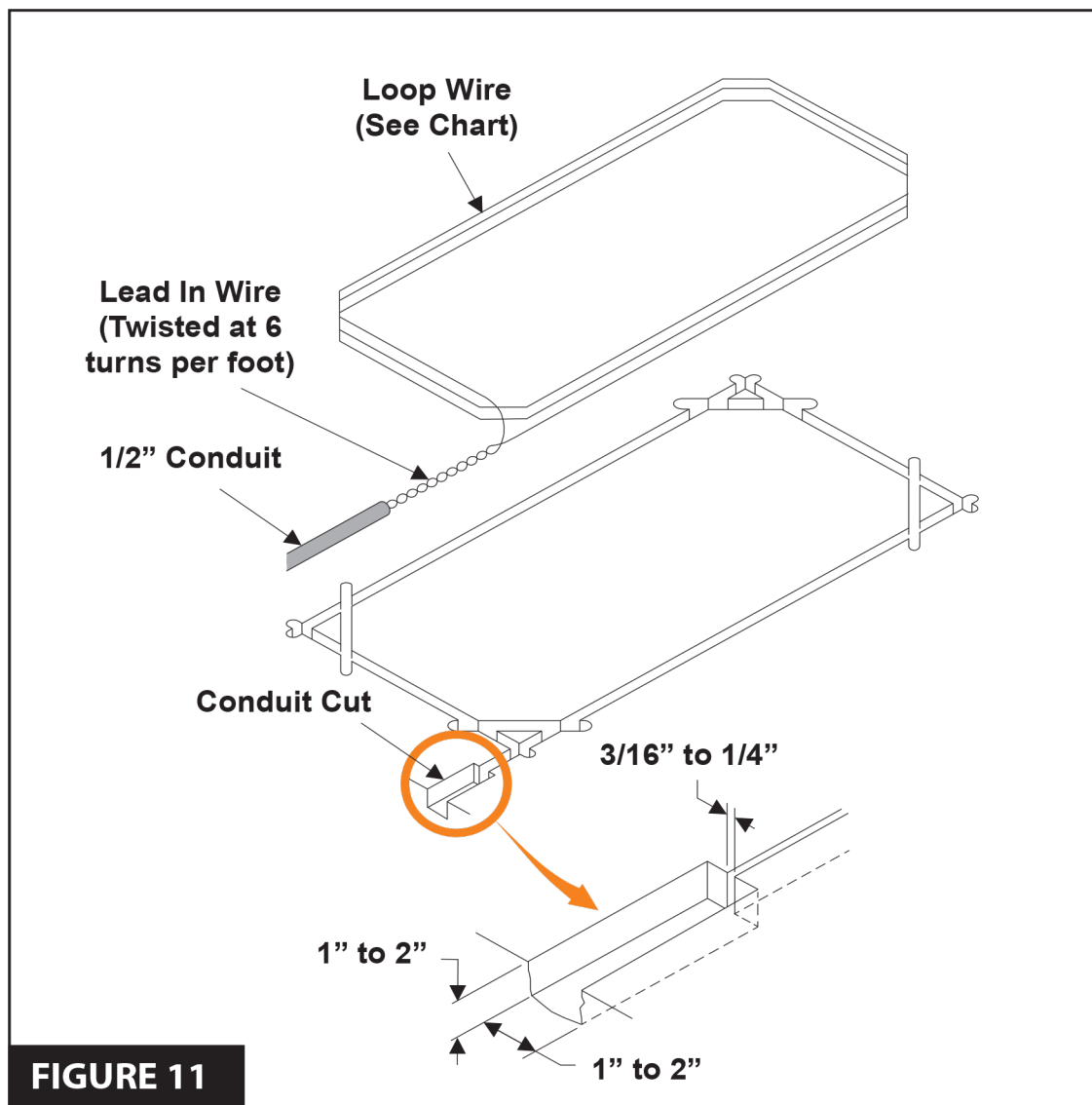
STANDARD LOOP LAYOUTS FOR APPROX. 36" HEIGHT DETECTION

LOOP SIZE	# OF TURNS	LOOP WIRE LENGTH (FT)
4' X 4'	4	64'
4' X 6'	4	80'
4' X 8'	3	72'
4' X 10'	3	84'
4' X 12'	3	96'
4' X 14'	3	108'
4' X 16'	3	120'
4' X 18'	3	132'
4' X 20'	3	144'
4' X 22'	3	156'
4' X 24'	3	168'
4' X 26'	3	180'
4' X 28'	3	192'
4' X 30'	2	136'
4' X 32'	2	144'
4' X 34'	2	152'
4' X 36'	2	160'
4' X 38'	2	168'
4' X 40'	2	176'

CAUTION: The loop wires and lead-in wires must be a continuous piece of wire without splices. Only use wire intended for this type of application (Type XHHW insulation 16AWG).

NOTE: Buried steel from drains or other systems may affect functioning of the loop system. Check with the factory for advice on any special installations. Call 1-800-243-4476.

- Cut the required groove at the locations laid out according to the diagram below (Figure 10).

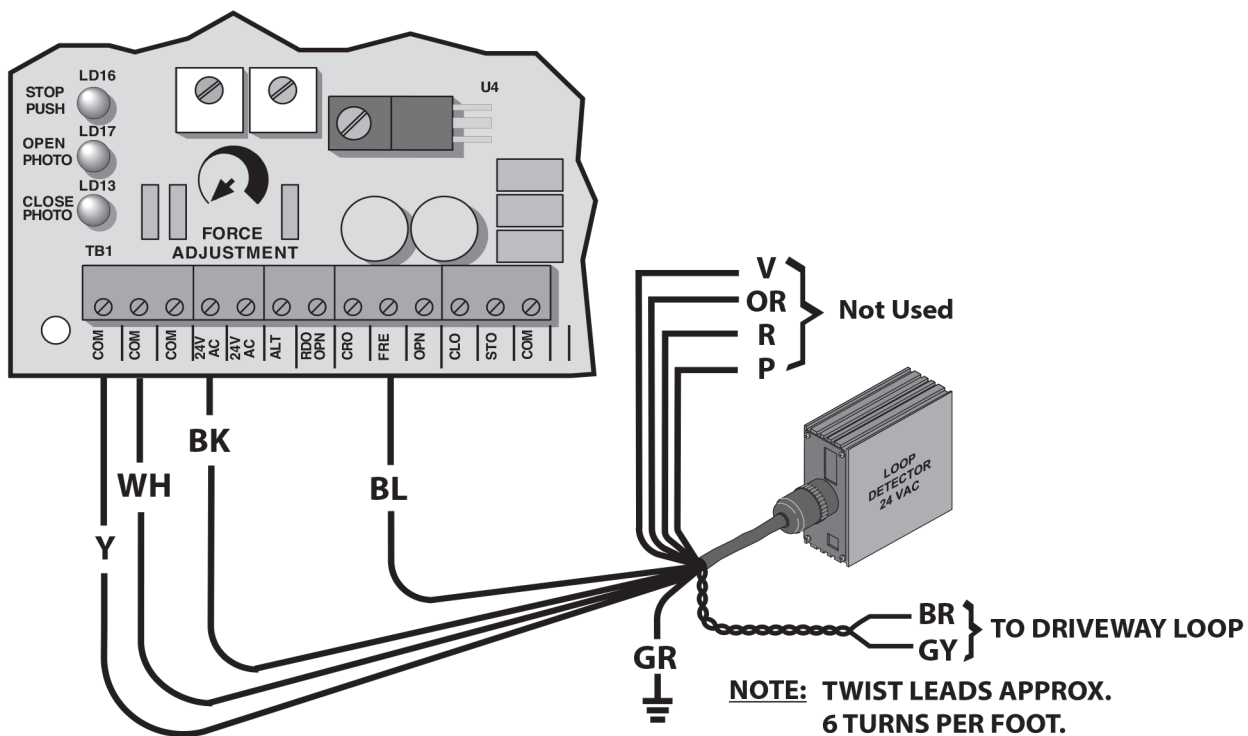


- Leaving enough wire for the lead-in, insert the specified number of turns of wire in the cut grooves (see chart).

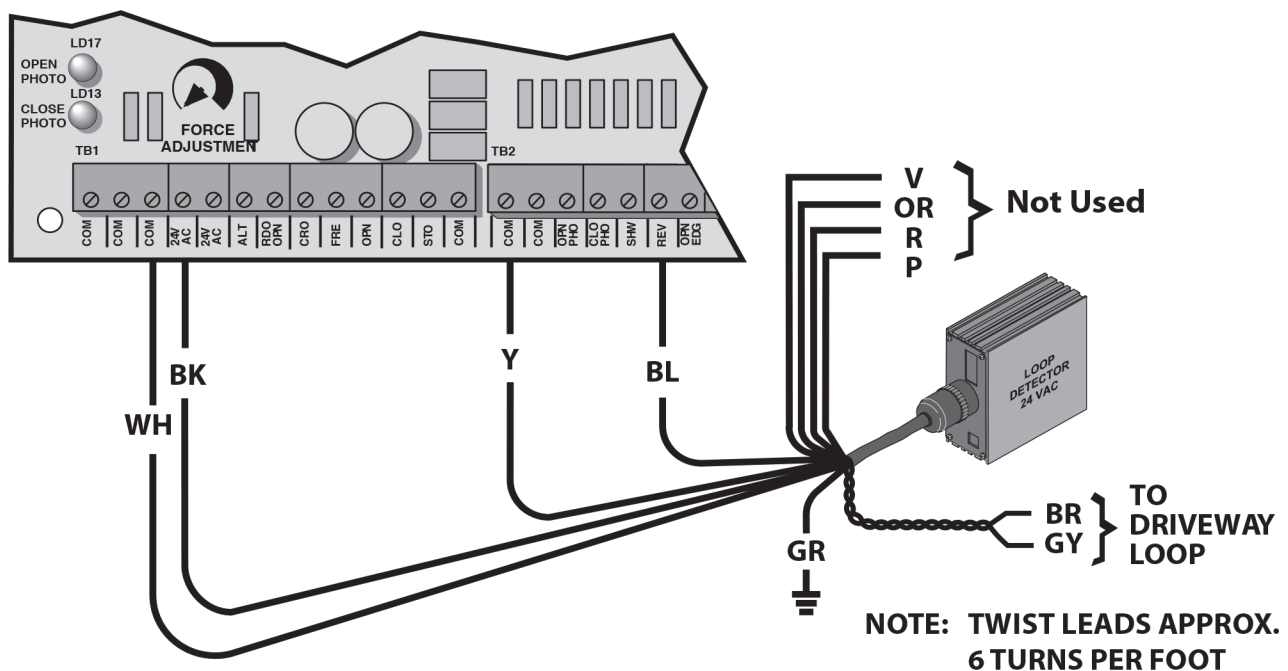
CAUTION: Be careful not to damage the wire insulation during installation.

- After completing the required number of loop turns, twist the ends together at the rate of 6 turns per foot to form the lead-in.
- Seal the lead-in wire in the conduit to prevent moisture seepage into the conduit.
- Fill over the loop wires in the groove with a recommended loop sealant. Contact your distributor for available sealants.
- Mount the loop detector in the operator and connect the wire loop.
- Connect loop detector to the control board as shown in diagrams below.

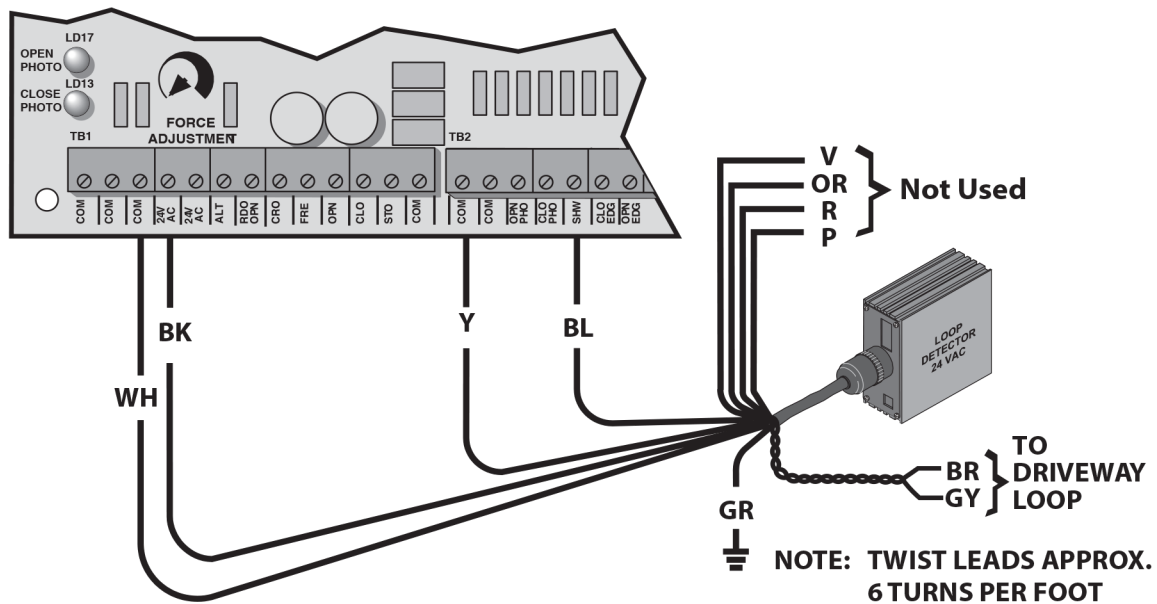
EXIT LOOP CONNECTION



REVERSING LOOP CONNECTION



SHADOW LOOP CONNECTION



SAFETY DEVICE CONNECTIONS

INHERENT OBSTRUCTION SENSING DEVICE

NOTE: The gate **MUST** move smoothly and easily in manual operation before attempting this adjustment.

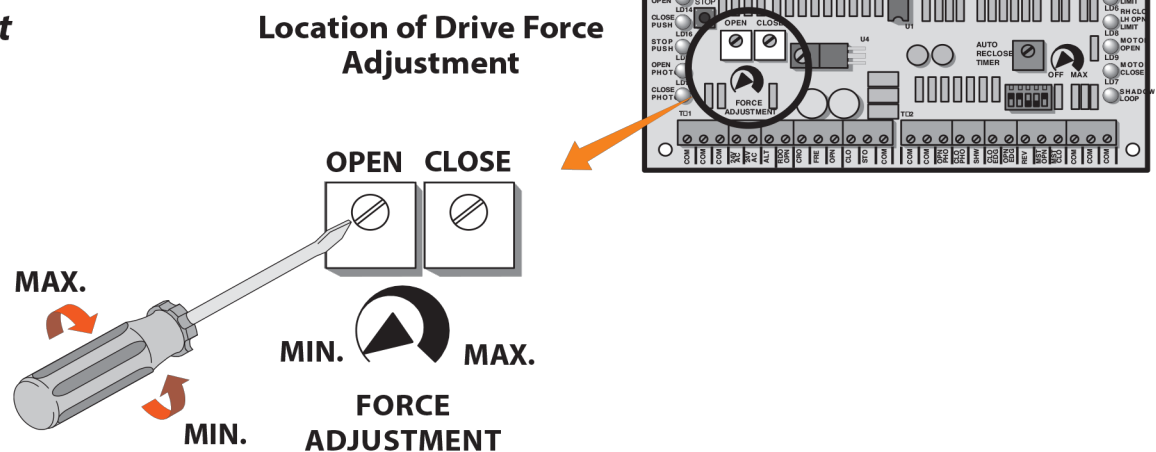
This unit is supplied with a speed sensing system, which will stop the gate when it encounters an obstruction, and then backs the gate off approximately 2 inches. If the gate is started again and a second encounter occurs before hitting a limit switch, the gate will stop and sound a warning signal. A constant pressure control will then be needed to start the gate.

WARNING

**TURN OFF POWER TO OPERATOR
WHEN MAKING ANY ADJUSTMENTS!**

This sensing system has sensitivity adjustments located on the printed circuit board. These adjustments are set at the factory to handle the requirements of most installations. The force required to activate the system may be adjusted in both **OPEN** and **CLOSE** directions separately. For heavy gates, increase the force setting until it is just over what is required to move the gate smoothly without any nuisance tripping.

NOTE: Most required sensitivity settings may be accomplished by adjusting the clutch. See **Clutch Adjustment** section.



CLUTCH ADJUSTMENT

NOTE: The clutch comes pre-adjusted from the factory and will function properly for the majority of installations.



WARNING

NEVER INCREASE FORCE SETTING TO MAKE UP FOR A GATE THAT IS NOT MAINTAINED PROPERLY. THIS WILL DESENSITIZE THE OPERATION OF THE SAFETY SYSTEM.

If more sensitivity is desired on a light gate:

1. Turn **OFF** power on electric plate.
2. Loosen locking set screw in adjustment nut.
3. Loosen adjustment nut counter-clockwise 1/4 of a turn.
4. Turn **ON** power. To check sensitivity, stop gate in mid travel by manually obstructing gate.
5. Restart gate.

NOTE: If operator goes into safety obstruction-sensing mode when gate is started from mid travel position, the clutch is too loose.

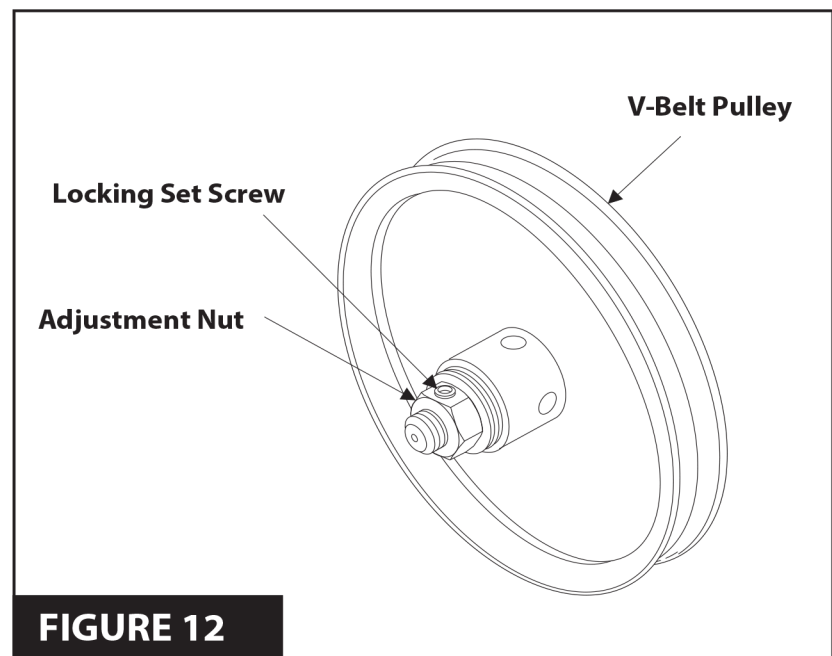
6. Re-tighten adjustment nut until the desired sensitivity is obtained. Lock adjustment with the locking set screw.

If more driving force is required on an extra heavy gate:

7. Turn **OFF** power on electric plate.
8. Loosen locking set screw in adjustment nut.
9. Tighten adjustment nut clockwise 1/4 of a turn.
10. Turn on power and run gate to check the adjustment.
11. If gate is stopped in mid-travel and then restarted without the operator going into the safety obstruction sensing mode, the clutch is tight enough.

NOTE: If the clutch is too tight, the belt or drive chain may jump and a banging sound may be heard when the gate is obstructed in mid travel.

12. Loosen the adjustment nut until the desired drive force is obtained. Then lock adjustment with the locking set screw.



SECONDARY OBSTRUCTION SENSING DEVICES

Another sensing device (either a contact or a non-contact system) must be installed and connected to this unit to increase protection against entrapment per UL requirements.

NOTE: All safety device contacts must be NORMALLY OPEN.

NOTE: 24 VAC power is available at marked terminals for devices that may require it (e.g. photo eyes, loop detectors, radio controls).

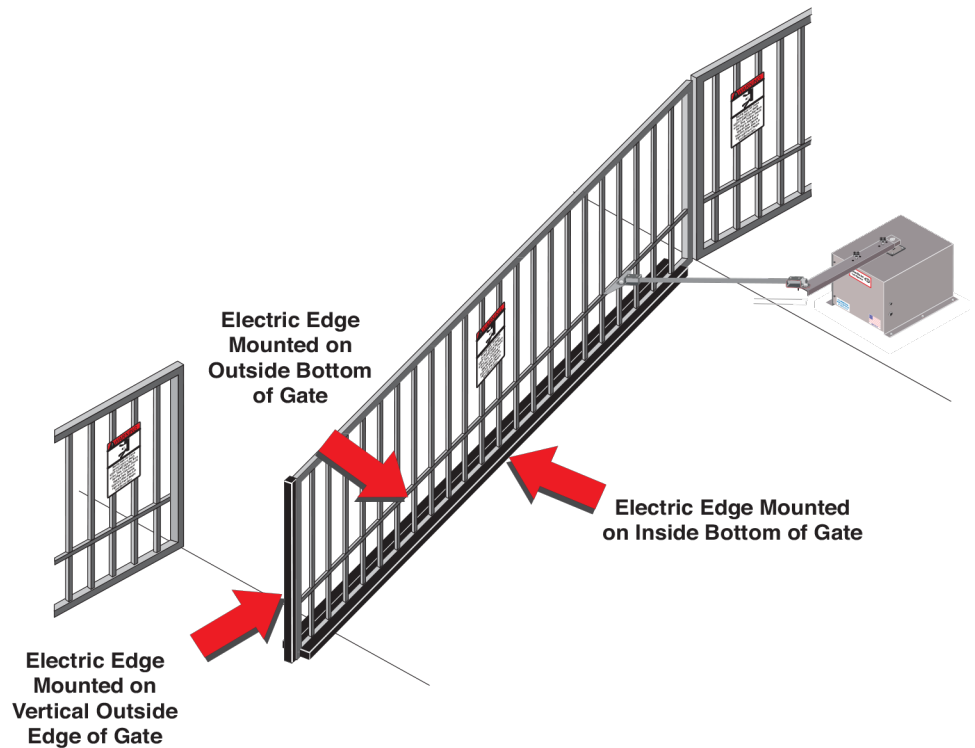
CONTACT SENSOR INSTALLATION

NOTE: Wireless sensors must be installed so there is no signal interference.

NOTE: All hard wiring to safety edges must be installed so there is no threat of mechanical damage to wiring between components when the gate is moving.

1. Install electric edge sensors in locations show below:

NOTE: A separate pedestrian gate must be installed if there is no other entry access but the vehicular gate.



2. Connect contact sensor edges to the control board as shown in **Figure 13** below.

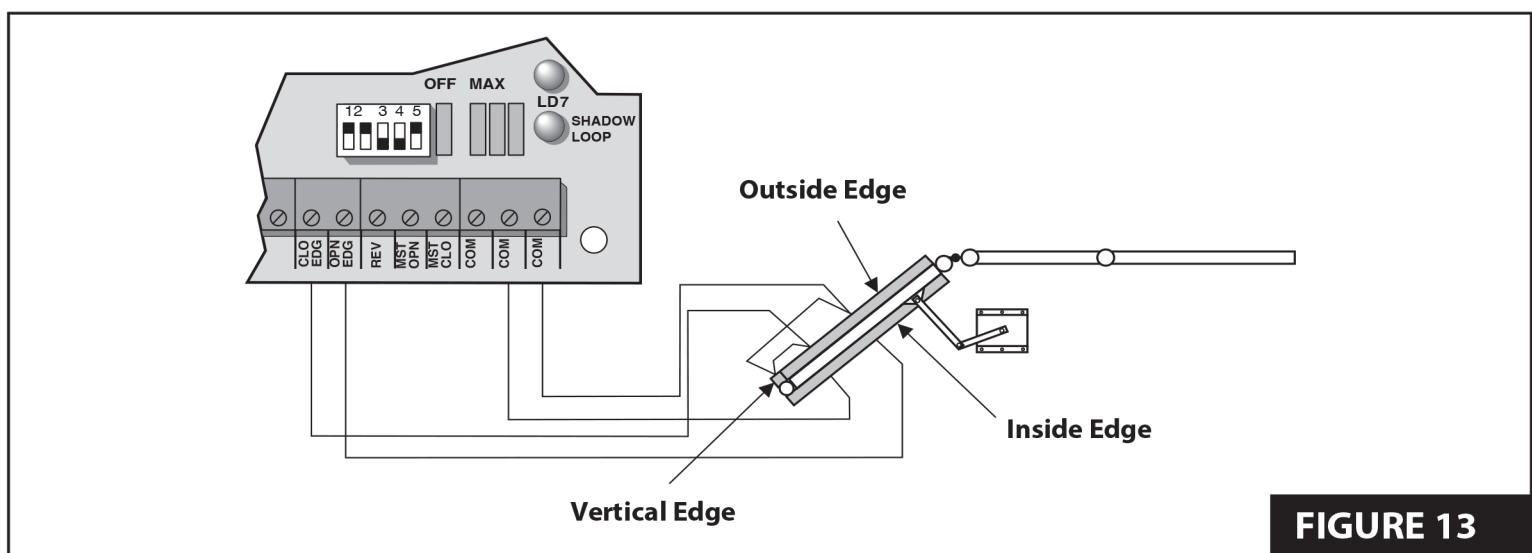


FIGURE 13

NOTE: The outside edge and vertical edge are connected to “**CLO EDG**” and “**COM**” terminals.

3. After sensors are mounted and electrically connected, turn on the power.
4. Test the **CLOSE OBSTRUCTION SENSING SYSTEM** for proper operation by depressing the outside edge sensing strip while the operator is running closed.

NOTE: The operator should **STOP AND REVERSE** a short distance and then **STOP**.

5. Run the operator to the **OPEN** limit and repeat **Step #4** for the vertical edge.
6. Run the operator to the **CLOSE** limit.
7. Test the **OPEN OBSTRUCTION SENSING SYSTEM** by depressing the inside edge sensor while the gate is opening.

NOTE: The operator should repeat the **STOP AND REVERSE** procedure.

NOTE: If an edge is activated twice, or a second edge is activated before a limit is hit (full open or close), operator will stop and sound a warning horn. To reactivate system, turn operator power switch **OFF** then **ON**.

NON-CONTACT SENSOR INSTALLATION

1. Install photoelectric cell as close to **FULL OPEN** and **FULL CLOSED** position of gate as possible.
2. Photocells should be installed across the gate opening and behind the gate at least 10 inches above ground (see image).

NOTE: A separate pedestrian gate must be installed if there is no other entry access but the vehicular gate.

3. Connect NON-CONTACT sensors to the control board as shown in **Figure 14**.

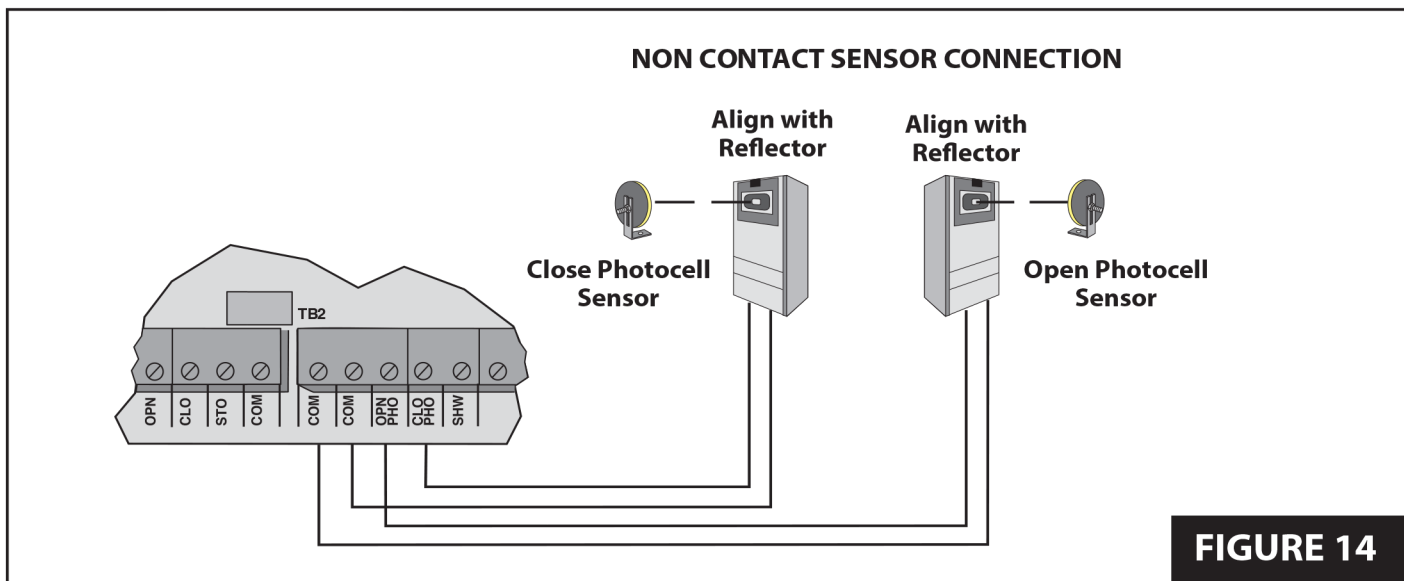
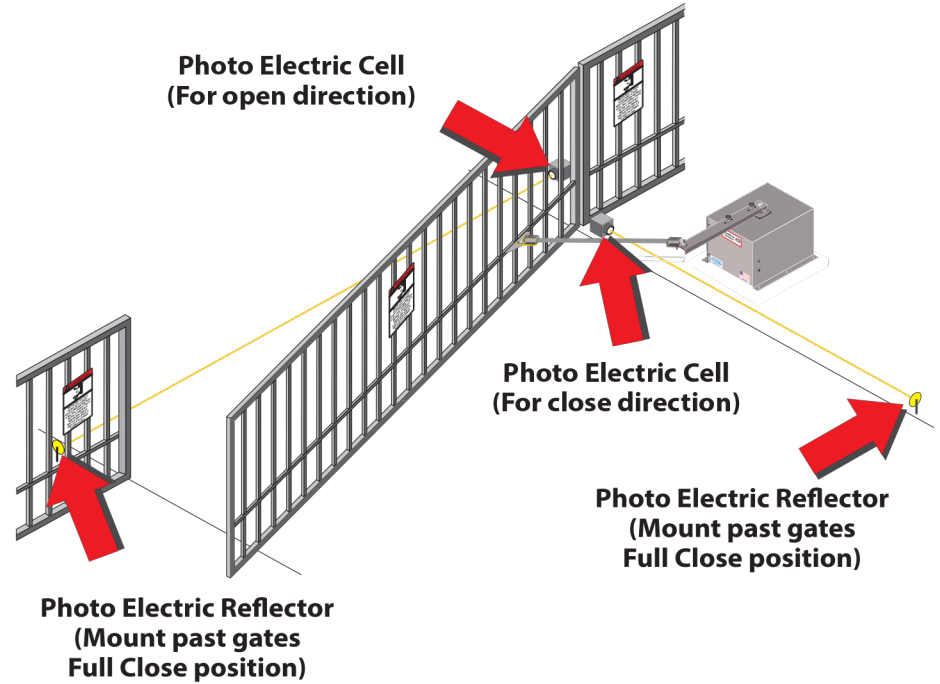


FIGURE 14

NOTE: Close photocell is connected to “**CLO PHO**” and “**COM**” terminal. Open photocell is connected to “**OPN PHO**” and “**COM**” terminal.

AFTER SENSORS ARE CONNECTED

1. Turn **ON** power.
2. Make sure the photo-beams are properly aligned per the manufacturer’s specifications.
3. Test the **CLOSE** obstruction sensing system for proper operation by blocking the beam across the gate opening while the gate is running closed.

NOTE: The gate should **STOP AND REVERSE** a short distance and then **STOP**.

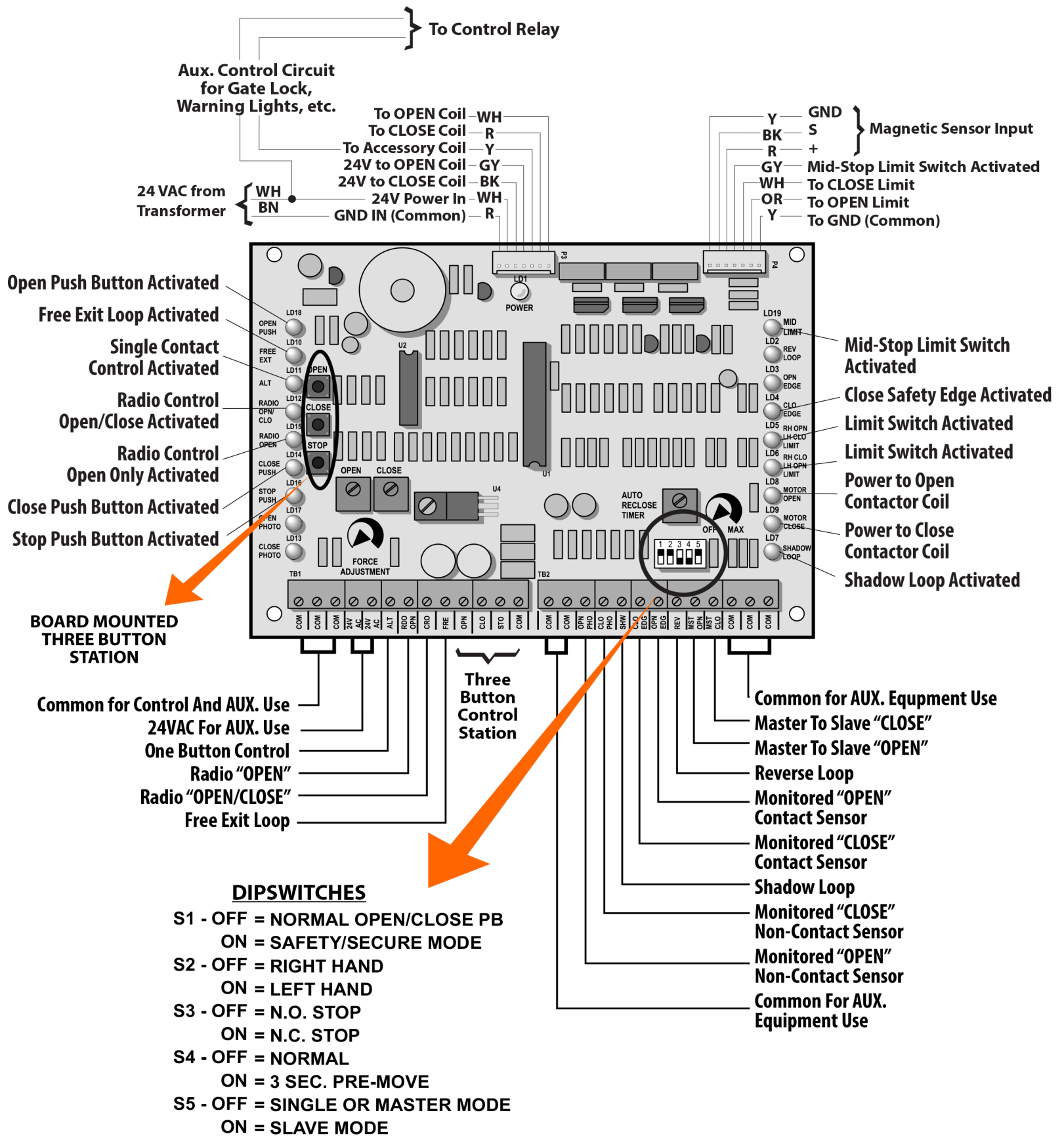
4. Run operator to **CLOSE** limit.
5. Test the **OPEN OBSTRUCTION SENSING SYSTEM** by blocking the beam mounted at the back area of the gate while the gate is running open.

NOTE: The operator should repeat the **STOP AND REVERSE** procedure.

MAINTENANCE SUGGESTIONS

The Reducer is completely sealed and should not require lubrication. Periodically check drive belt and all hardware (nuts, bolts, screws, etc) for tightness.

LED AND DIPSWITCH INFORMATION FOR 2004 UMCB-01 CONTROL BOARD



PowerMaster

Limited 5-Year Warranty

PowerMaster warrants all gate operators to be free of defects in materials and workmanship for a period of five (5) years from date of manufacture. If any part is found to be defective during this period, new parts will be furnished free of charge. Failure of this product due to misuse, improper installation, alterations, vandalism, or lack of maintenance is not covered under this warranty, and voids any other implied warranties herein.

PowerMaster is not responsible for any labor charges incurred in connection with the installation of warranted parts.

In order to activate this warranty, the registration form below **MUST BE COMPLETED AND RETURNED WITHIN THIRTY CALENDAR DAYS FROM DATE OF PURCHASE**. Log onto our website at www.vepower.net and click on the *Register your Product* link. You can also send via fax (631-231-4274) or via email to pmtech@optonline.net. If registration is not activated, a one-year warranty will apply.

REGISTRATION INFORMATION

Operator Information

Model CSWI/DSWI

Serial # _____

Date Installed _____

Location Installed

Address _____

Address _____

Address _____

Installer's Information

Company Name _____

Address _____

Address 2 _____

City, State, Zip _____

Telephone # _____

Contact Name _____

The end user should retain this information for their records and to obtain warranty service.

Need Technical Support?



Visit: www.vepower.net/faqs

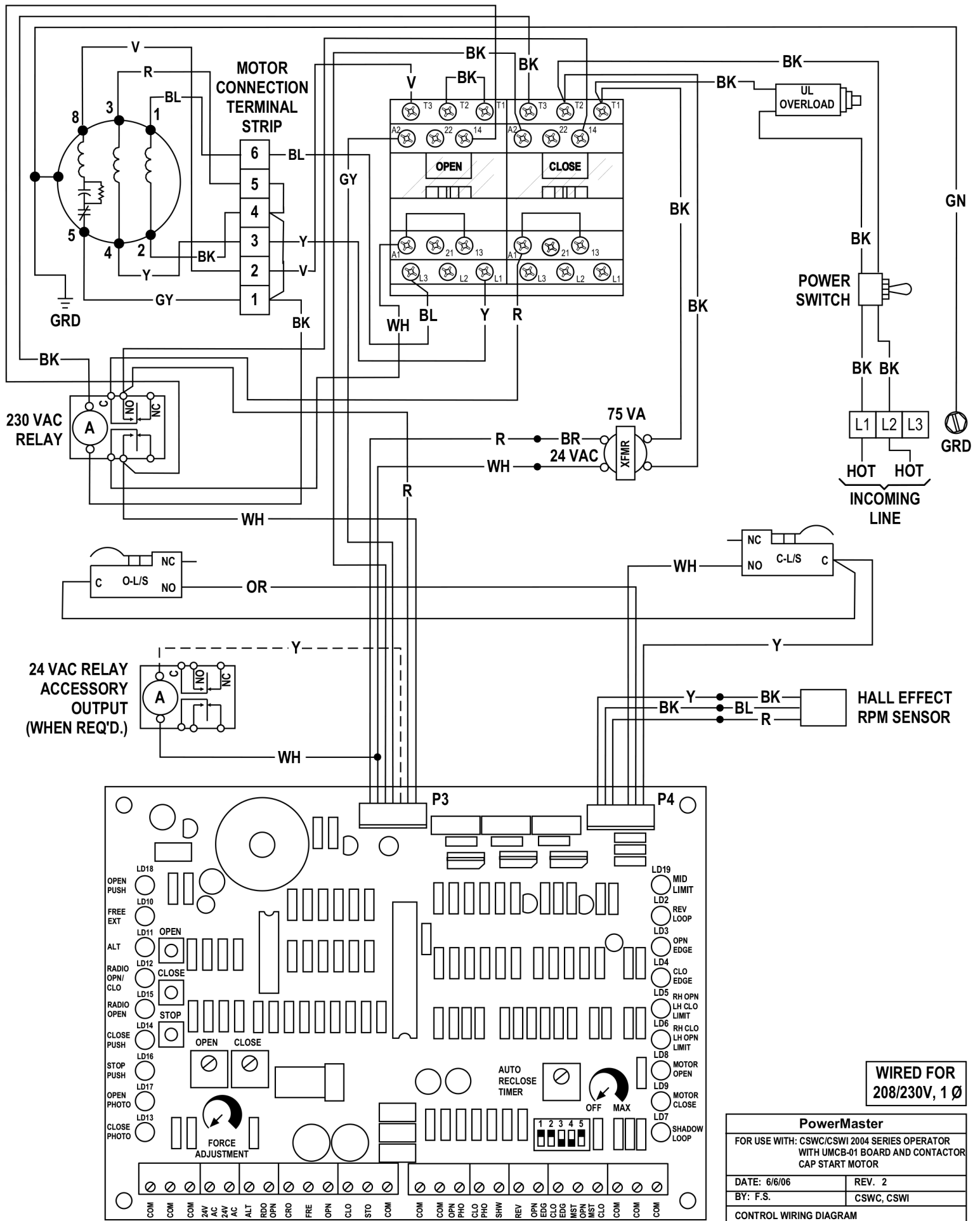
Call us toll free @ 1-800-243-4476

Email us: PMtech@VEpower.net

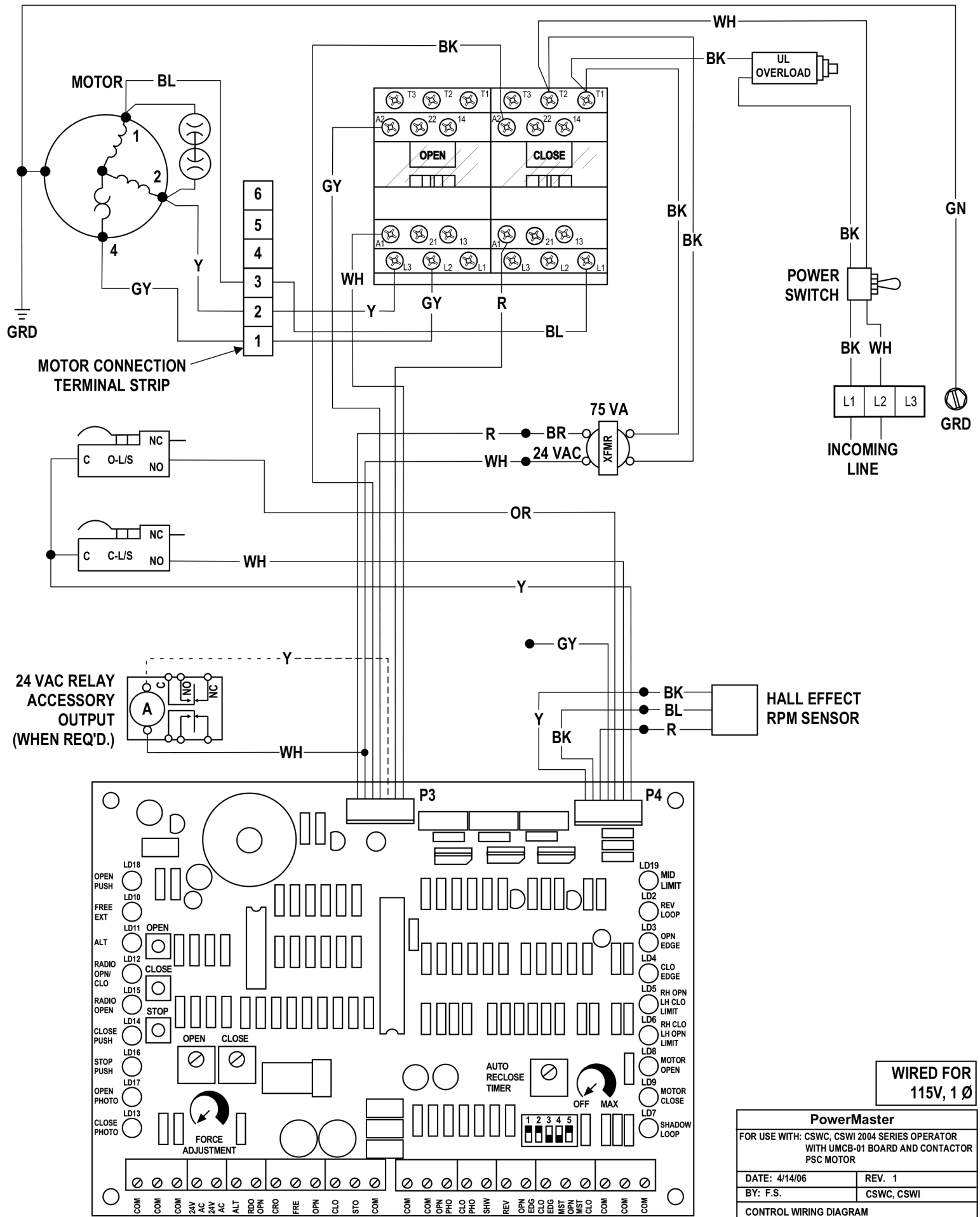
powermaster



www.facebook.com/PowerMasterOperators



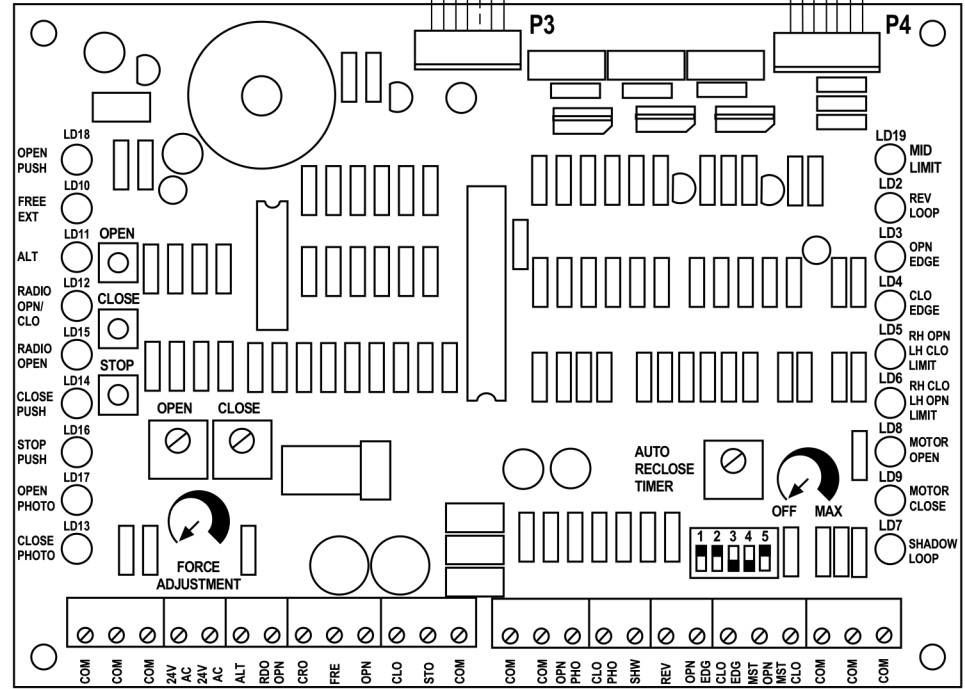
PowerMaster	
FOR USE WITH: CSWC/CSWI 2004 SERIES OPERATOR WITH UMCB-01 BOARD AND CONTACTOR CAP START MOTOR	
DATE: 6/6/06	REV. 2
BY: F.S.	CSWC, CSWI
CONTROL WIRING DIAGRAM	
WIRING DIAGRAM 6104	
© Copyright PowerMaster 1997 No portion of this diagram may be reproduced without the expressed written permission of the manufacturer.	



24 VAC RELAY
 ACCESSORY
 OUTPUT
 (WHEN REQ'D.)

MOTOR CONNECTION
 TERMINAL STRIP

HALL EFFECT
 RPM SENSOR



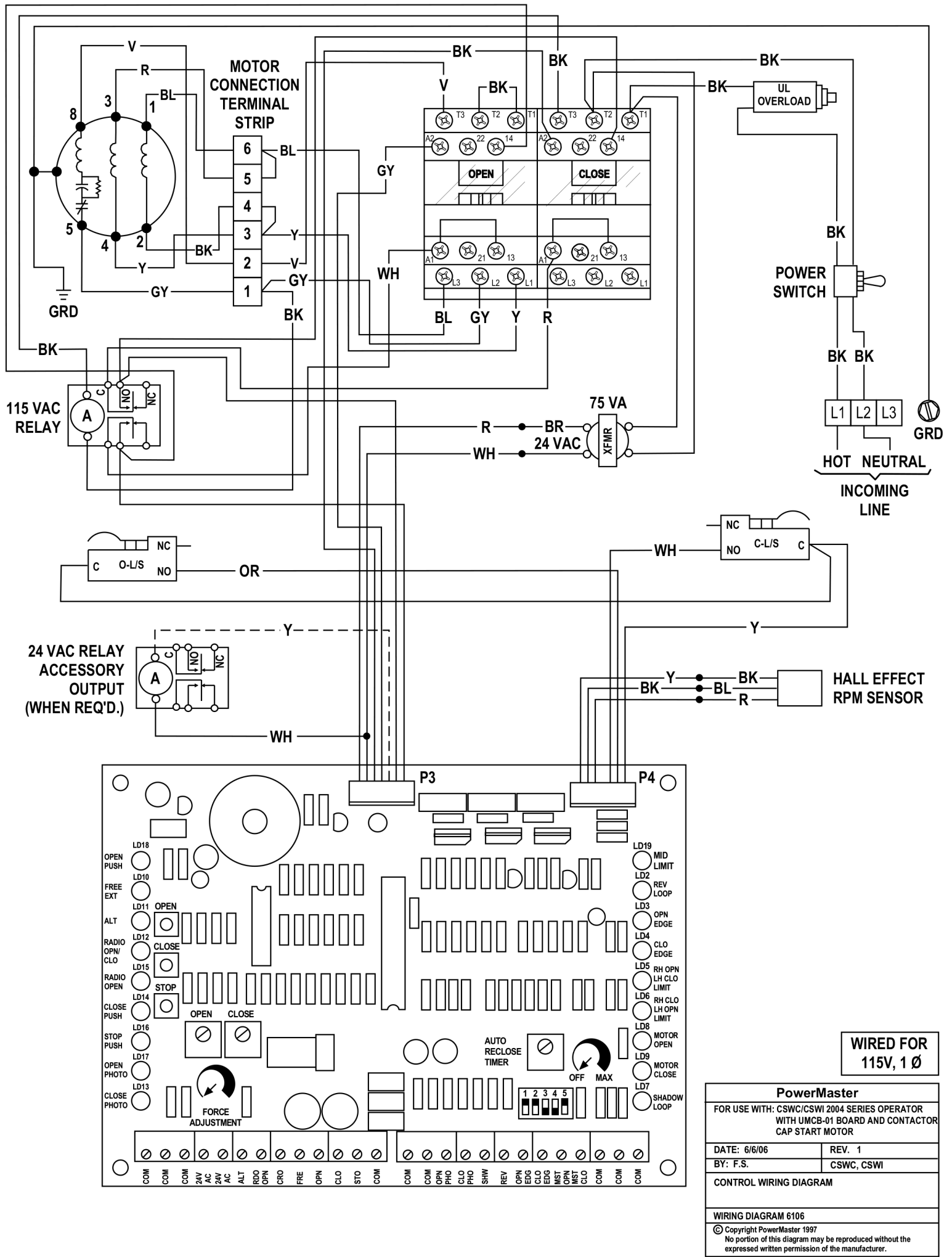
WIRED FOR
115V, 1Ø

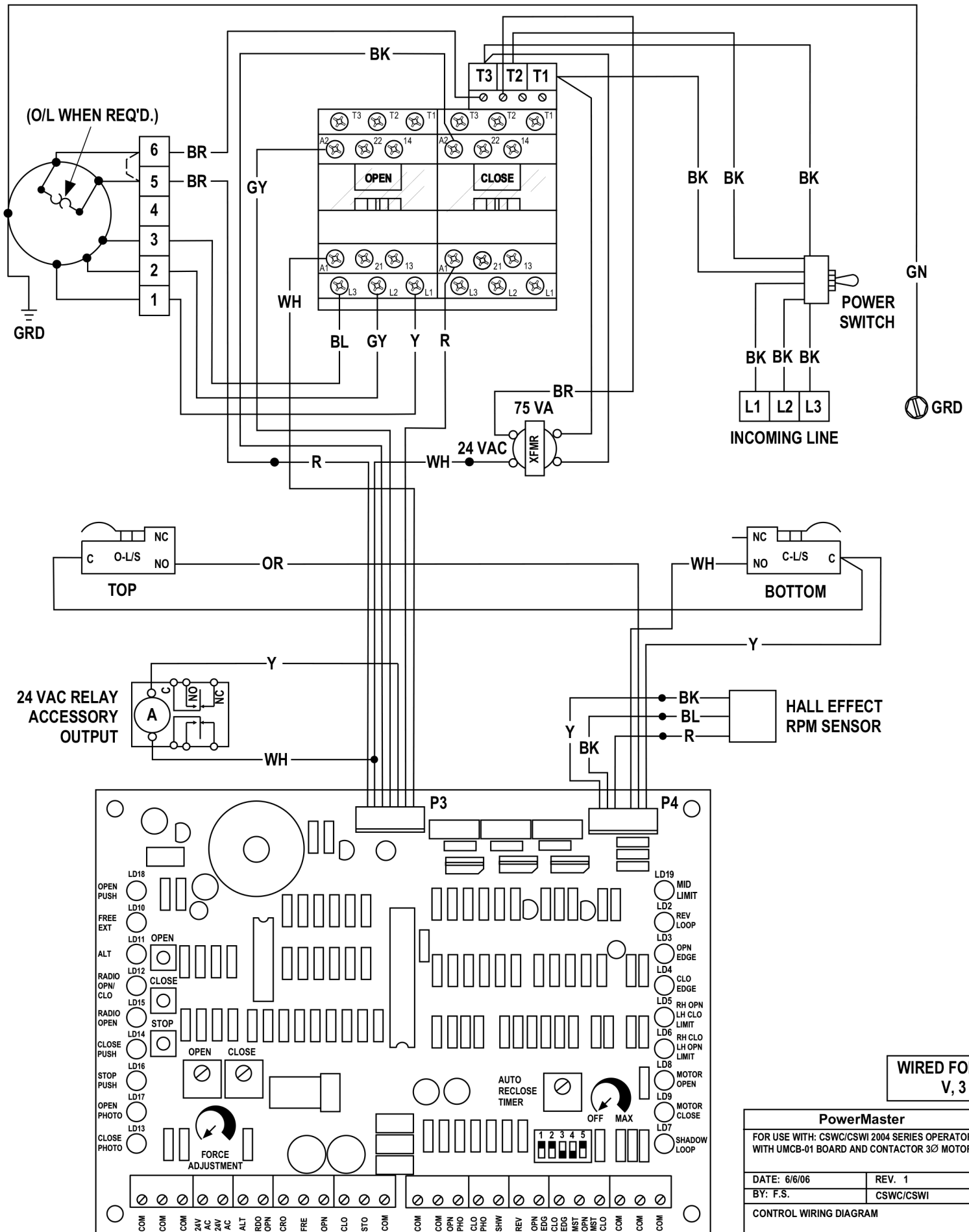
PowerMaster
 FOR USE WITH: CSWC, CSWI 2004 SERIES OPERATOR
 WITH UMCB-01 BOARD AND CONTACTOR
 PSC MOTOR

DATE: 4/14/06 REV. 1
 BY: F.S. CSWC, CSWI

CONTROL WIRING DIAGRAM

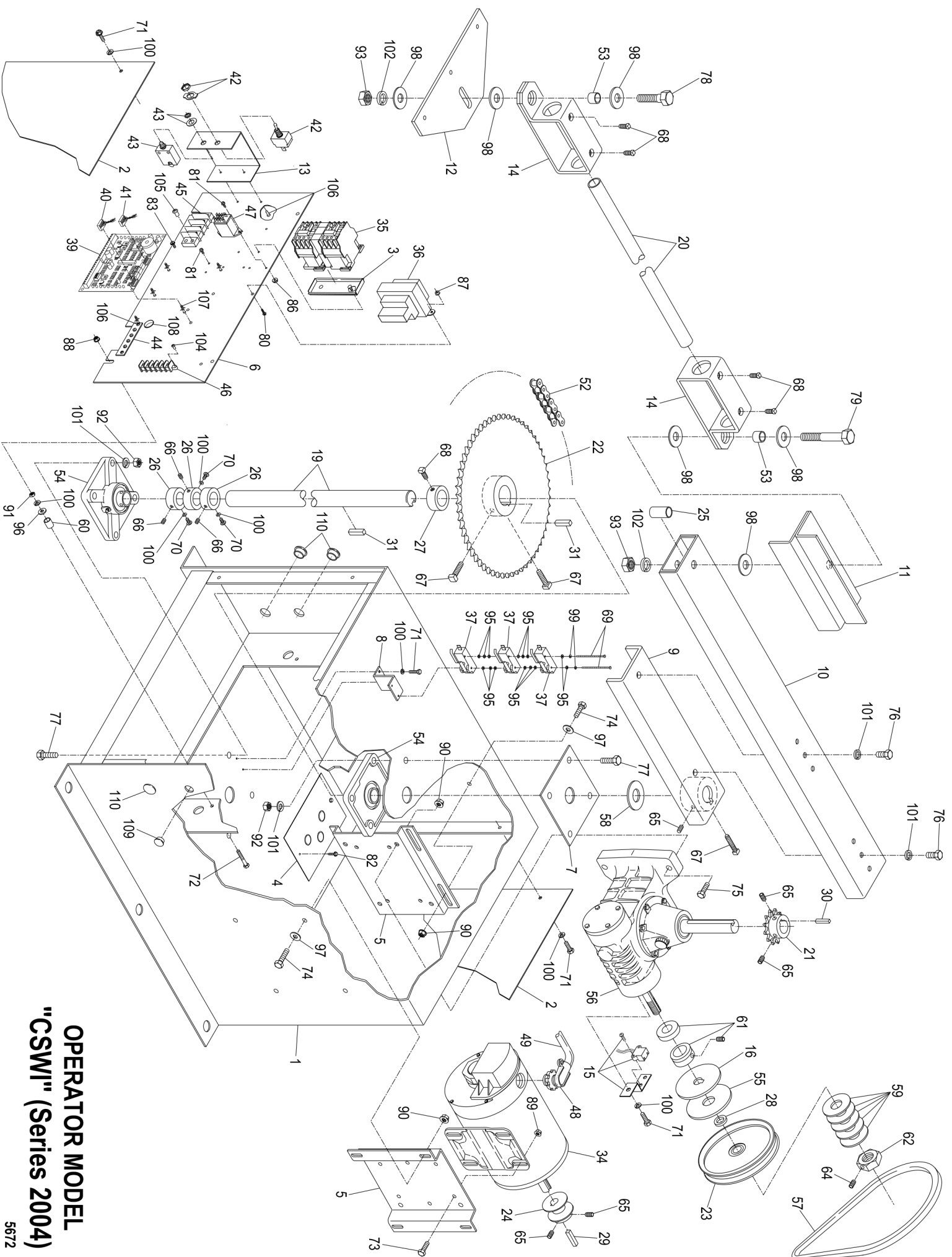
WIRING DIAGRAM 6105
 © Copyright PowerMaster 2006
 No portion of this diagram may be reproduced without the expressed written permission of the manufacturer.





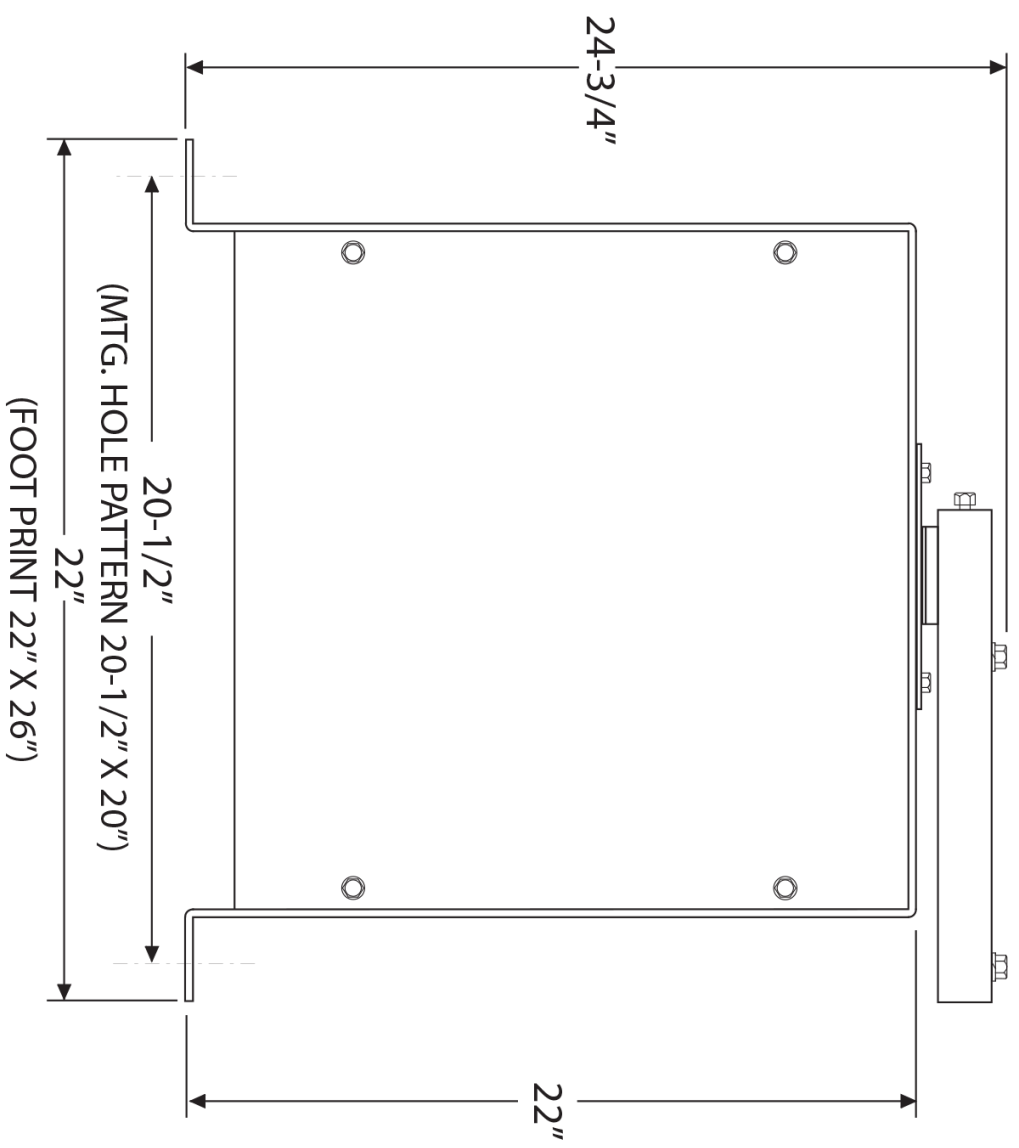
WIRED FOR
V, 3 Ø

PowerMaster	
FOR USE WITH: CSWC/CSWI 2004 SERIES OPERATOR WITH UMCB-01 BOARD AND CONTACTOR 3Ø MOTOR	
DATE: 6/6/06	REV. 1
BY: F.S.	CSWC/CSWI
CONTROL WIRING DIAGRAM	
WIRING DIAGRAM 6107	
© Copyright PowerMaster 1997 No portion of this diagram may be reproduced without the expressed written permission of the manufacturer.	



**OPERATOR MODEL
"CSWI" (Series 2004)**

5672



CSWI OPERATOR
9904
REV 0