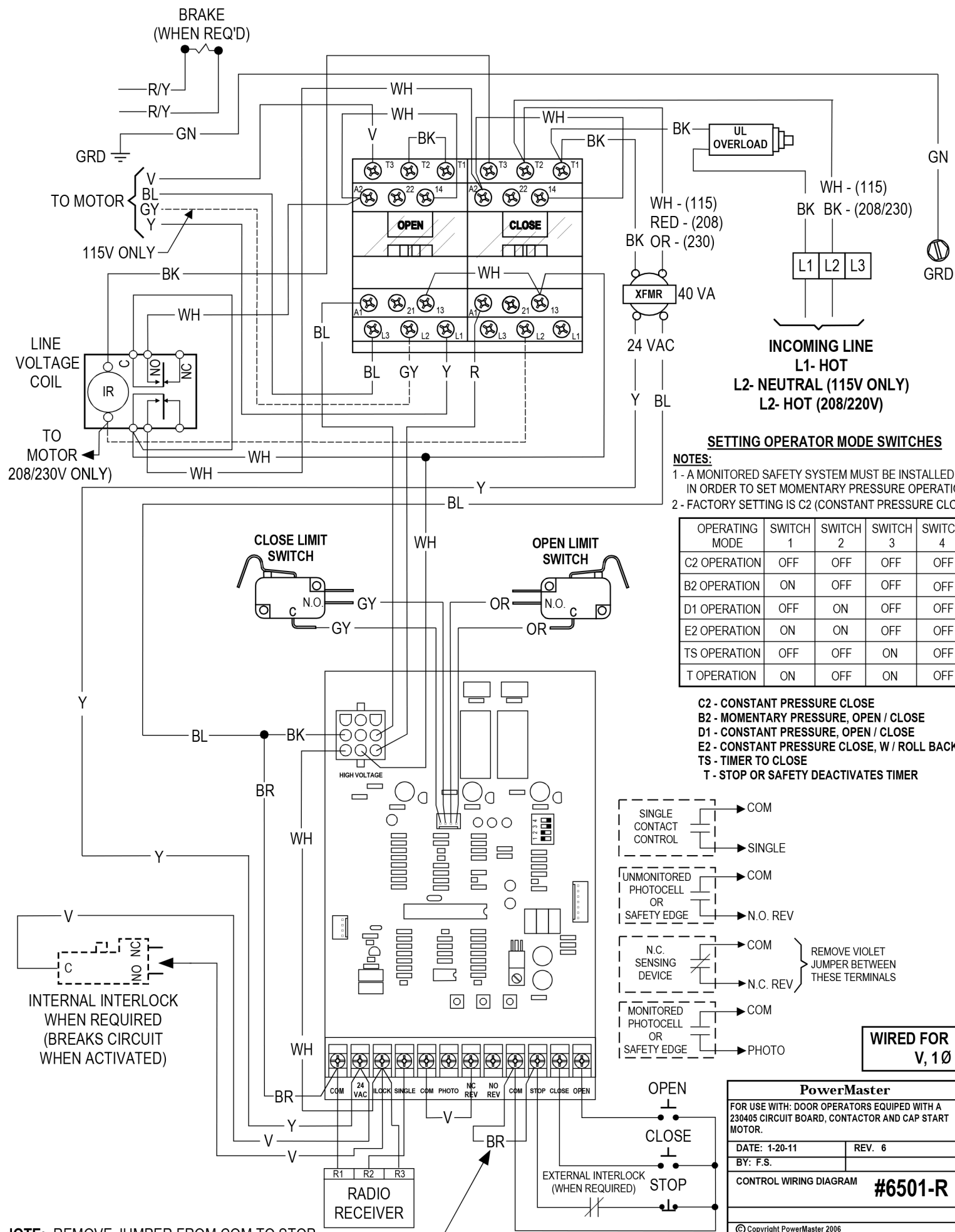


**OPERATOR MODEL  
"CT"**

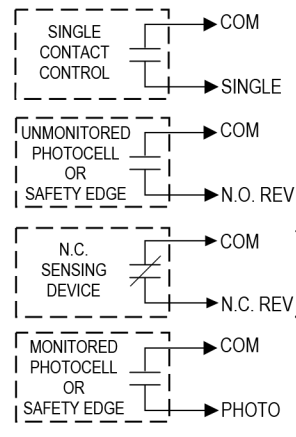


**SETTING OPERATOR MODE SWITCHES**

- NOTES:**  
 1 - A MONITORED SAFETY SYSTEM MUST BE INSTALLED IN ORDER TO SET MOMENTARY PRESSURE OPERATION.  
 2 - FACTORY SETTING IS C2 (CONSTANT PRESSURE CLOSE)

OPERATING MODE	SWITCH 1	SWITCH 2	SWITCH 3	SWITCH 4
C2 OPERATION	OFF	OFF	OFF	OFF
B2 OPERATION	ON	OFF	OFF	OFF
D1 OPERATION	OFF	ON	OFF	OFF
E2 OPERATION	ON	ON	OFF	OFF
TS OPERATION	OFF	OFF	ON	OFF
T OPERATION	ON	OFF	ON	OFF

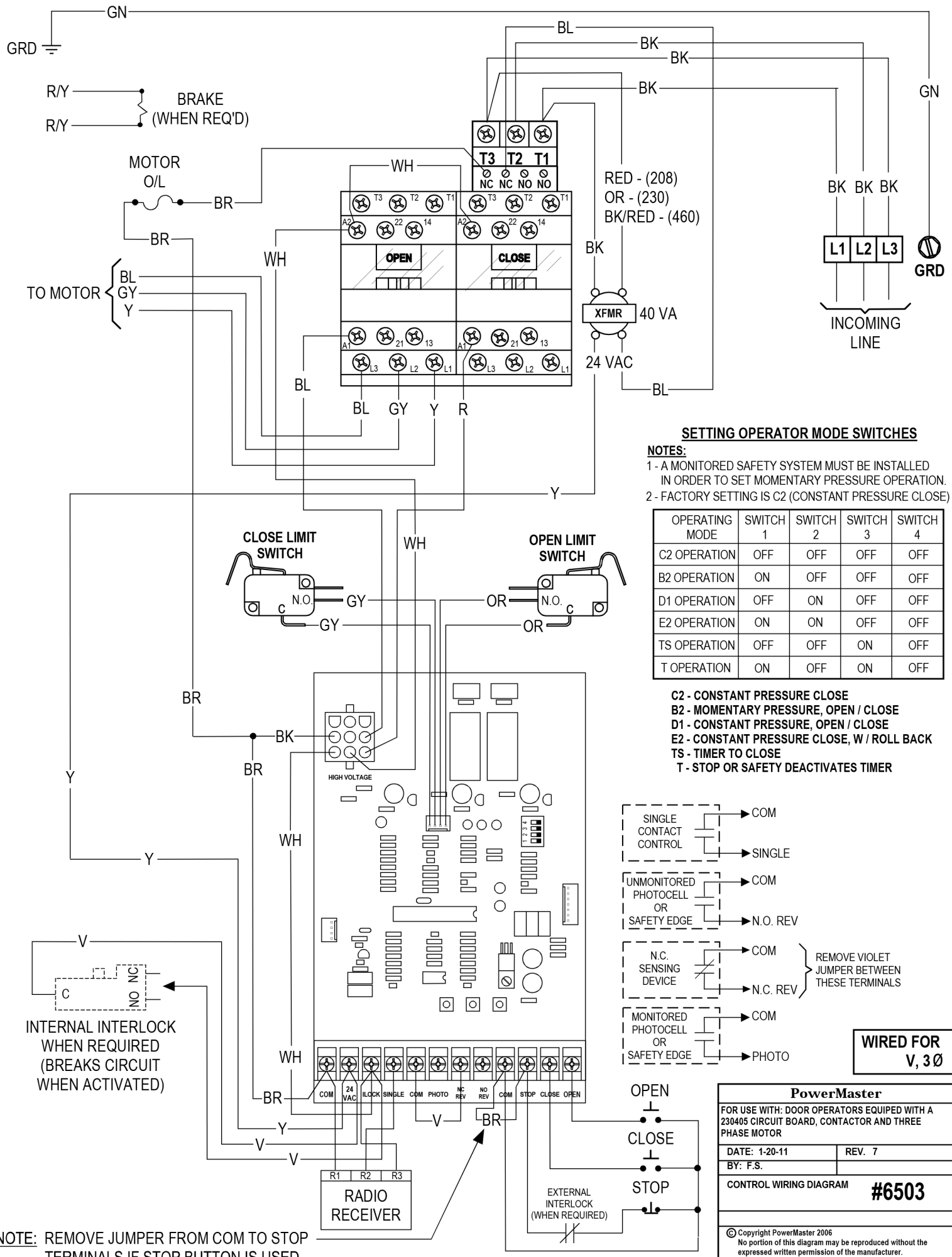
- C2 - CONSTANT PRESSURE CLOSE**  
**B2 - MOMENTARY PRESSURE, OPEN / CLOSE**  
**D1 - CONSTANT PRESSURE, OPEN / CLOSE**  
**E2 - CONSTANT PRESSURE CLOSE, W / ROLL BACK**  
**TS - TIMER TO CLOSE**  
**T - STOP OR SAFETY DEACTIVATES TIMER**



**WIRED FOR V, 1Ø**

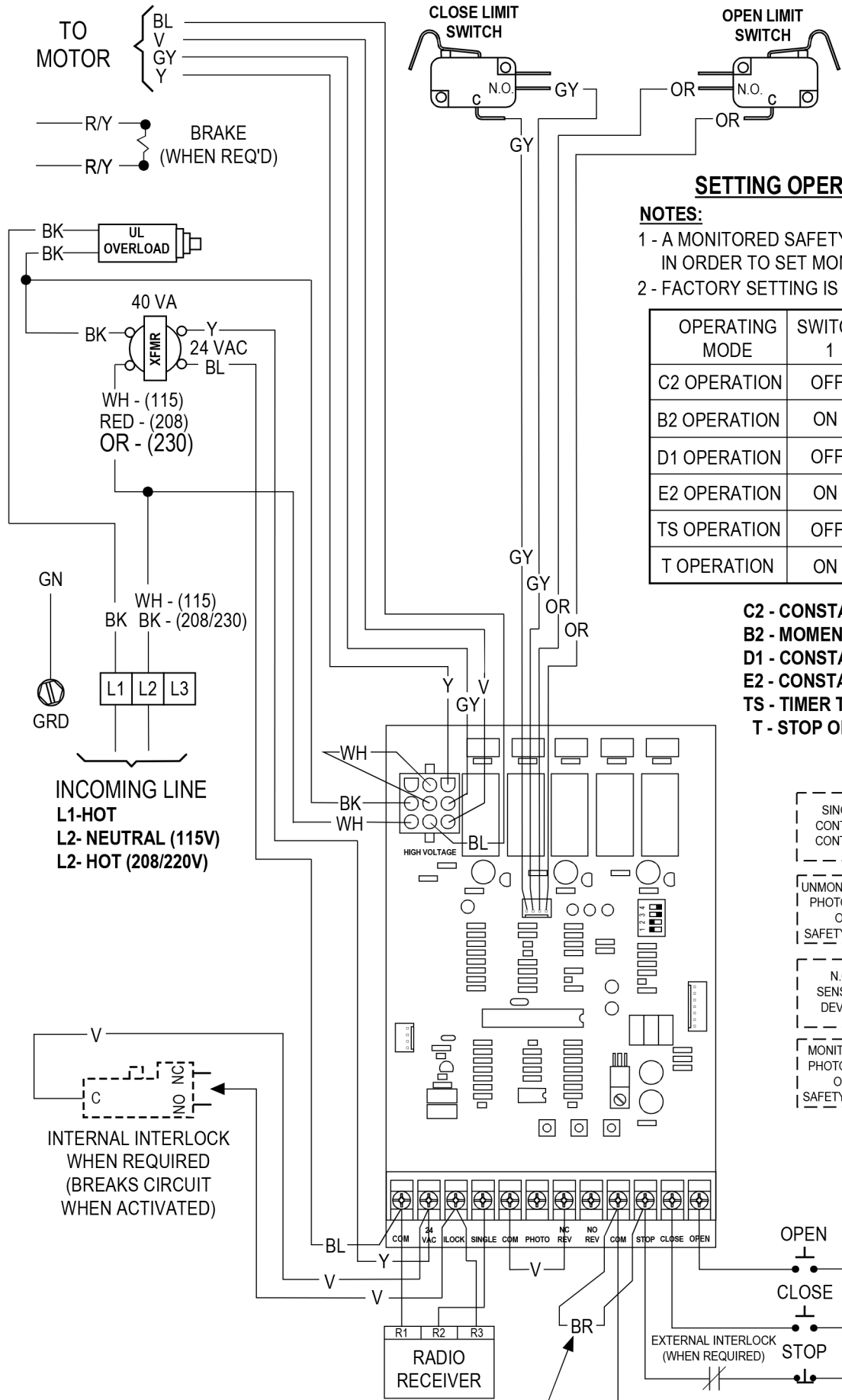
**PowerMaster**  
 FOR USE WITH: DOOR OPERATORS EQUIPPED WITH A 230405 CIRCUIT BOARD, CONTACTOR AND CAP START MOTOR.  
 DATE: 1-20-11      REV. 6  
 BY: F.S.  
 CONTROL WIRING DIAGRAM **#6501-R**  
 © Copyright PowerMaster 2006  
 No portion of this diagram may be reproduced without the expressed written permission of the manufacturer.

**NOTE:** REMOVE JUMPER FROM COM TO STOP TERMINALS IF STOP BUTTON IS USED.



**NOTE:** REMOVE JUMPER FROM COM TO STOP TERMINALS IF STOP BUTTON IS USED.

**NOTE: INTERNAL START SWITCH, IN MOTOR, MUST NOT BE USED WITH THIS TYPE OF WIRING.**

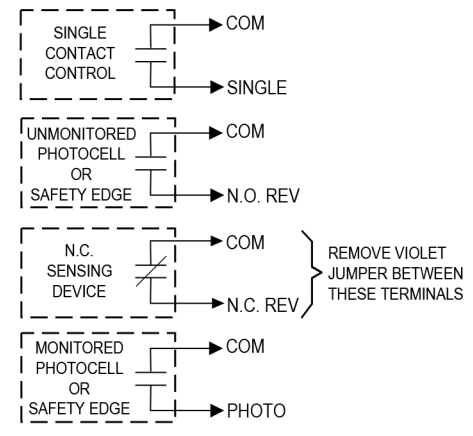


**SETTING OPERATOR MODE SWITCHES**

- NOTES:**  
 1 - A MONITORED SAFETY SYSTEM MUST BE INSTALLED IN ORDER TO SET MOMENTARY PRESSURE OPERATION.  
 2 - FACTORY SETTING IS C2 (CONSTANT PRESSURE CLOSE)

OPERATING MODE	SWITCH 1	SWITCH 2	SWITCH 3	SWITCH 4
C2 OPERATION	OFF	OFF	OFF	OFF
B2 OPERATION	ON	OFF	OFF	OFF
D1 OPERATION	OFF	ON	OFF	OFF
E2 OPERATION	ON	ON	OFF	OFF
TS OPERATION	OFF	OFF	ON	OFF
T OPERATION	ON	OFF	ON	OFF

- C2 - CONSTANT PRESSURE CLOSE
- B2 - MOMENTARY PRESSURE, OPEN / CLOSE
- D1 - CONSTANT PRESSURE, OPEN / CLOSE
- E2 - CONSTANT PRESSURE CLOSE, W / ROLL BACK
- TS - TIMER TO CLOSE
- T - STOP OR SAFETY DEACTIVATES TIMER



**NOTE:** REMOVE JUMPER FROM COM TO STOP TERMINALS IF STOP BUTTON IS USED.

**WIRED FOR**  
V, 1Ø

**PowerMaster**  
 FOR USE WITH: DOOR OPERATORS EQUIPPED WITH A 230404 CIRCUIT BOARD AND CAP START MOTOR.  
 DATE: 1-20-11 REV. 2  
 BY: B.F.  
 CONTROL WIRING DIAGRAM **# 6511**  
 © Copyright PowerMaster 2006  
 No portion of this diagram may be reproduced without the expressed written permission of the manufacturer.